

A-TRACK HOUSING FAMILY

Semi-Custom to Meet Your Needs



Semi-Custom

Offered in a variety of shapes and sizes and endless customizable options

End to End Connectivity

Using our patent pending coupling mounting clips, A-Track offers an elegant solution no matter how short or long your fixture needs to be

Made in the USA

Fabricated of high quality American aluminum and premium optic diffuser lenses

Custom Lengths

Pre-assembled: ≤ 8 ft. (96 in)

Assembly Required: > 8 ft. (96 in)

Tested as suitable for use within clothing closet spaces by ETL/Intertek

Must be installed in accordance with NEC 410.16 for use in clothing closet spaces

See separate installation instructions
Patent Pending - Made in the USA



Components of a complete system include: Aion LED A-Track Light Engine, Aion LED A-Track housing with diffuser lens, & Aion LED driver (power supply). Dimmer not included. Approved dimmers, controls, power supplies, cable, & other components only. Contact Aion LED for questions regarding compatibility. Electrician installed. Strictly adhere to NEC & local building code. Limited 5-year warranty against manufacturing defects only, does not cover labor; voided by: inadequate ventilation, field modifications, installation by unqualified personnel, unapproved controls, drivers, cabling, other devices, not following installation guidelines & protocol, general negligence. Installer assumes all liability with regard to property & safety. This product is UL listed. See separate "Aion LED Warranty Terms" & additional instructional materials for more information. Authorized installers only. Systems tested prior to shipping.



AIONLED.COM | (415) 255-AION

Modified: March 14, 2018

© 2018 Aion LED. All Rights Reserved

Customization Options

AT-Series A-Track fixtures are semi custom and made to order. If an additional option or feature is needed, please contact Aion LED to discuss.

Profile

Shallow/ Narrow
Narrow
Standard
Deep
45° Asymmetrical

Lens

Frosted
Clear
Prismatic
Grazer*

Finish

Anodized Silver
Anodized Dark Bronze
Custom Color

Mounting

Mounting Clips
Pivot Mounting Clips
HD Adhesive backing

Feed

End
Rear
Side

Length

Custom pre-cut
Field Cuttable

Wiring

24" Leads
48" Leads
Custom length leads
M/F Disconnect Plugs
Color: White/ Black

AT Series A-Track orders include: A -Track housing, lens, end caps, end cap screws, wire grommets & mounting clips

Tested as suitable for use within clothing closet spaces by ETL/ Intertek

Must be installed in accordance with NEC 410.16 for use in clothing closet spaces

*AT402 Narrow Profile Only



Components of a complete system include: Aion LED A-Track Light Engine, Aion LED A-Track housing with diffuser lens, & Aion LED driver (power supply). Dimmer not included. Approved dimmers, controls, power supplies, cable, & other components only. Contact Aion LED for questions regarding compatibility. Electrician installed. Strictly adhere to NEC & local building code. Limited 5-year warranty against manufacturing defects only, does not cover labor; voided by: inadequate ventilation, field modifications, installation by unqualified personnel, unapproved controls, drivers, cabling, other devices, not following installation guidelines & protocol, general negligence. Installer assumes all liability with regard to property & safety. This product is UL listed. See separate "Aion LED Warranty Terms" & additional instructional materials for more information. Authorized installers only. Systems tested prior to shipping.



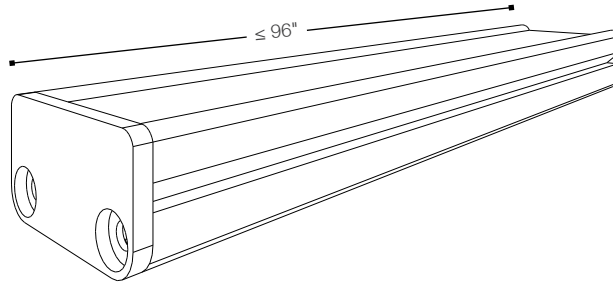
AIONLED.COM | (415) 255-AION

Modified: March 14, 2018

© 2018 Aion LED. All Rights Reserved

AT401

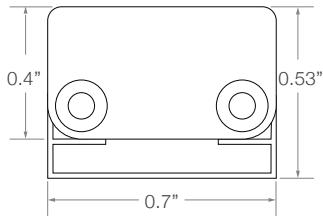
Shallow, Narrow Profile



NOT TO SCALE

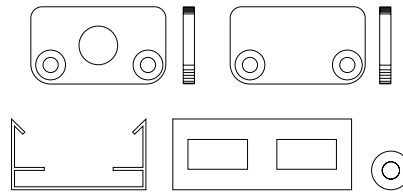
Dimensions

NOT TO SCALE



Accessories

SCALE 1:1



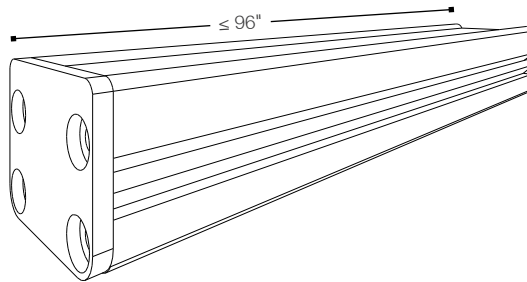
Compatibility

DIRECT VIEW
1524-LE
1524-CT3022-LE

INDIRECT VIEW
9524-FR
1524-LE
4924-LE
3924-LE
1524-CT3022-LE
7000-RGB
5000-RGB

AT402

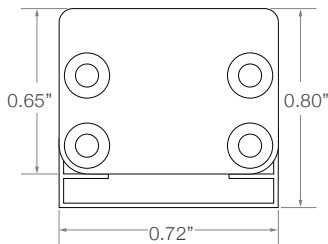
Narrow Profile



NOT TO SCALE

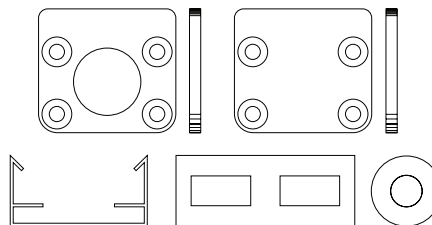
Dimensions

NOT TO SCALE



Accessories

SCALE 1:1



Compatibility

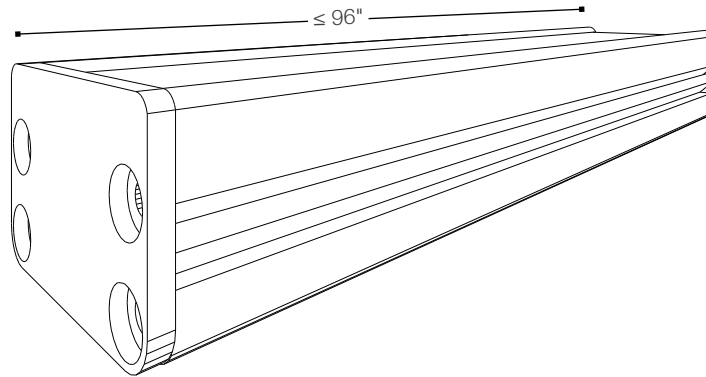
DIRECT VIEW
9524-FR
1524-LE
4924-LE
1524-CT3022-LE

INDIRECT VIEW
9524-FR
1524-LE
4924-LE
3924-LE
1524-CT3022-LE
7000-RGB
5000-RGB

Components of a complete system include: Aion LED A-Track Light Engine, Aion LED A-Track housing with diffuser lens, & Aion LED driver (power supply). Dimmer not included. Approved dimmers, controls, power supplies, cable, & other components only. Contact Aion LED for questions regarding compatibility. Electrician installed. Strictly adhere to NEC & local building code. Limited 5-year warranty against manufacturing defects only, does not cover labor; voided by: inadequate ventilation, field modifications, installation by unqualified personnel, unapproved controls, drivers, cabling, other devices, not following installation guidelines & protocol, general negligence. Installer assumes all liability with regard to property & safety. This product is UL listed. See separate "Aion LED Warranty Terms" & additional instructional materials for more information. Authorized installers only. Systems tested prior to shipping.

AT801

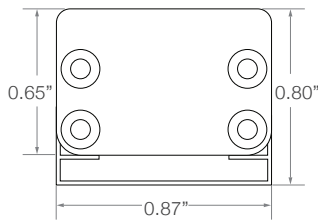
Standard Profile



NOT TO SCALE

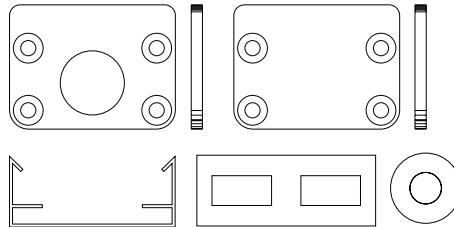
Dimensions

NOT TO SCALE



Accessories

SCALE 1:1



Compatibility

DIRECT VIEW

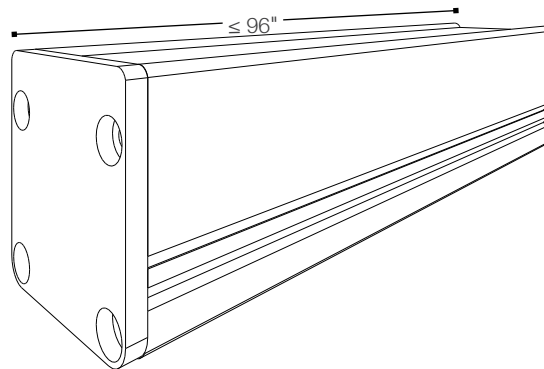
9524-FR
1524-LE
8925-LE
4924-LE
6524-CT3022-LE
1524-CT3022-LE
8924-CT3022-LE

INDIRECT VIEW

9524-FR
1524-LE
8925-LE
4924-LE
3924-LE
6524-CT3022-LE
1524-CT3022-LE
8924-CT3022-LE
8924-RGBW-LE
7000-RGB
5000-RGB

AT802

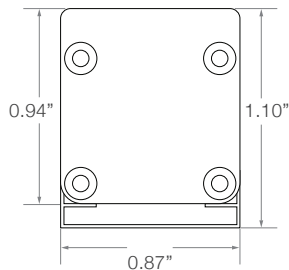
Deep Profile



NOT TO SCALE

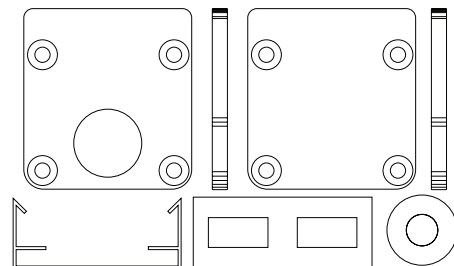
Dimensions

NOT TO SCALE



Accessories

SCALE 1:1



Compatibility

DIRECT VIEW

9524-FR
1524-LE
8924-LE
4924-LE
3924-LE
6524-CT3022-LE
1524-CT3022-LE
8924-CT3022-LE
8924-RGBW-LE
7000-RGB
5000-RGB

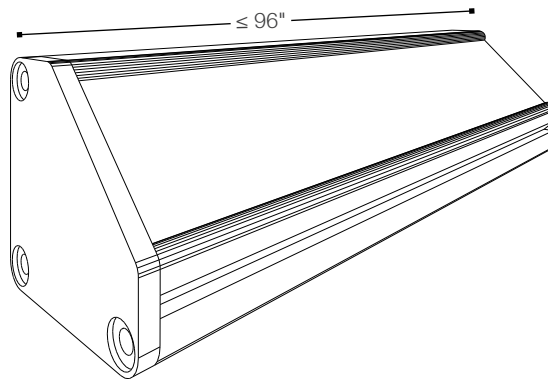
INDIRECT VIEW

9524-FR
1524-LE
8924-LE
4924-LE
3924-LE
6524-CT3022-LE
1524-CT3022-LE
8924-CT3022-LE
8924-RGBW-LE
7000-RGB
5000-RGB

Components of a complete system include: Aion LED A-Track Light Engine, Aion LED A-Track housing with diffuser lens, & Aion LED driver (power supply). Dimmer not included. Approved dimmers, controls, power supplies, cable, & other components only. Contact Aion LED for questions regarding compatibility. Electrician installed. Strictly adhere to NEC & local building code. Limited 5-year warranty against manufacturing defects only, does not cover labor; voided by: inadequate ventilation, field modifications, installation by unqualified personnel, unapproved controls, drivers, cabling, other devices, not following installation guidelines & protocol, general negligence. Installer assumes all liability with regard to property & safety. This product is UL listed. See separate "Aion LED Warranty Terms" & additional instructional materials for more information. Authorized installers only. Systems tested prior to shipping.

AT845

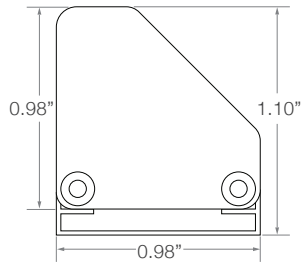
45° Asymmetrical Angle Profile



NOT TO SCALE

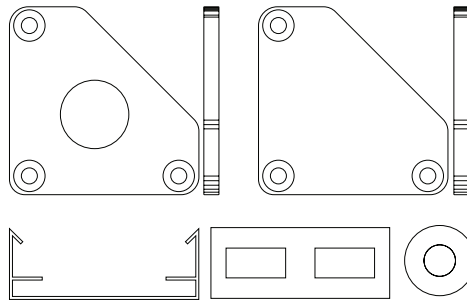
Dimensions

NOT TO SCALE



Accessories

SCALE 1:1



Compatibility

DIRECT VIEW

 9524-FR
 1524-LE
 8924-LE
 4924-LE

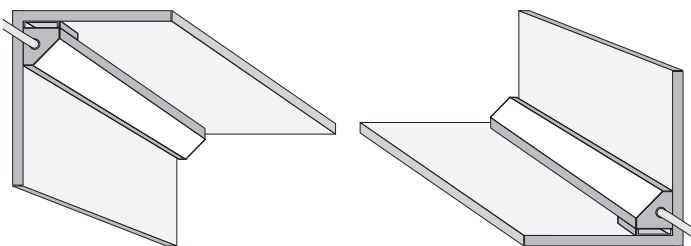
INDIRECT VIEW

 9524-FR
 1524-LE
 8924-LE
 4924-LE
 3924-LE
 6524-CT3022-LE
 1524-CT3022-LE
 8924-CT3022-LE
 8924-RGBW-LE
 7000-RGB
 5000-RGB

Power Leads & Plugs Orientation Options

If an orientation isn't selected, AT845 Fixtures will be delivered unassembled

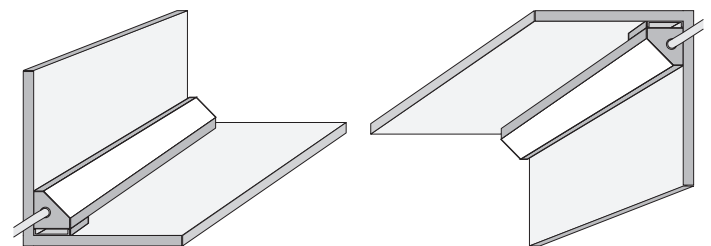
OPTION A



DOWN, LEFT

UP, RIGHT

OPTION B



UP, LEFT

DOWN, RIGHT

Components of a complete system include: Aion LED A-Track Light Engine, Aion LED A-Track housing with diffuser lens, & Aion LED driver (power supply). Dimmer not included. Approved dimmers, controls, power supplies, cable, & other components only. Contact Aion LED for questions regarding compatibility. Electrician installed. Strictly adhere to NEC & local building code. Limited 5-year warranty against manufacturing defects only, does not cover labor; voided by: inadequate ventilation, field modifications, installation by unqualified personnel, unapproved controls, drivers, cabling, other devices, not following installation guidelines & protocol, general negligence. Installer assumes all liability with regard to property & safety. This product is UL listed. See separate "Aion LED Warranty Terms" & additional instructional materials for more information. Authorized installers only. Systems tested prior to shipping.

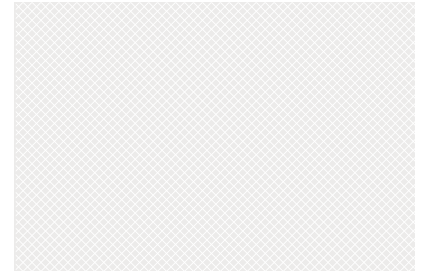
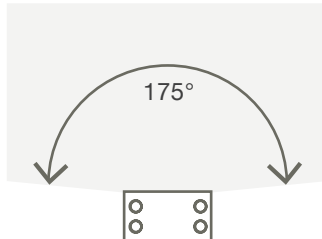
AION LED OPTICS

UV stabilized and won't yellow in direct sunlight

Frosted

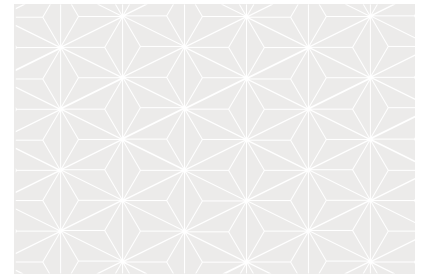
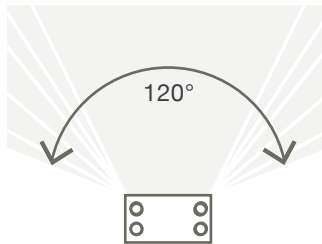
Widest Angle
Mid-Transmittance
100% Diffusion

See direct view for compatible light engines



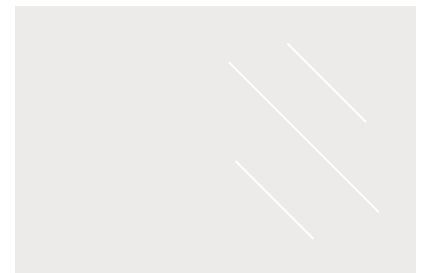
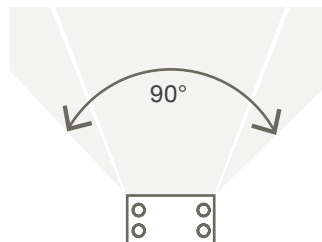
Prismatic

Wider Angle
High Transmittance
Mid Range Diffusion



Clear

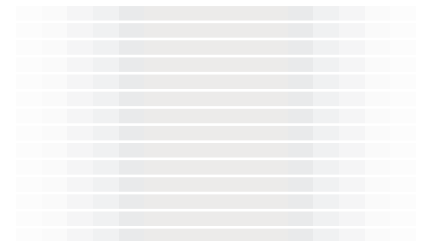
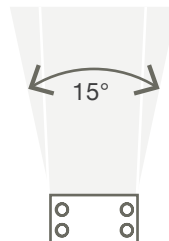
Wide Angle
Maximum Transmittance
Zero Diffusion
Clear lens is recommended for indirect applications.



PRELIMINARY SPECIFICATION, SUBJECT TO CHANGE WITHOUT NOTICE

Grazer

Narrow Angle
15° Collimation Optic
Compatible with AT402



Single Color Light Engines



95+ CRI White
Single Bin

Only Available
with 9524-FR

22	2150K	55	5500K
24	2350K		
26	2550K*		
27	2650K		
30	2950K		
35	3450K		
40	3950K		

Colors

R	Red	A	Amber
B	Blue	G	Green

95+ CRI

UL Class 2

IP20 Dry Location

Custom Cut to Fit

50,000 Hour Min. Lifespan

Requires: Aion LED Driver, Approved Controller, Aion LED Housing. Sold Separately, Not Included

*2550 Only Available in 8000, 4000 & 3000 Series
80+ CRI Available via Special Order

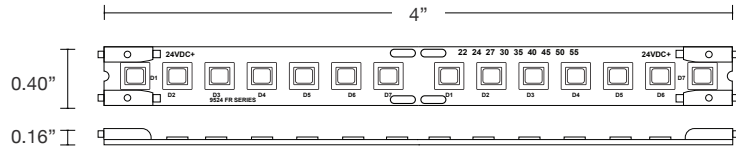
Tested as suitable for use within clothing closet spaces by ETL/ Intertek

Must be installed in accordance with NEC 410.16 for use in clothing closet spaces



Components of a complete system include: Aion LED A-Track Light Engine, Aion LED A-Track housing with diffuser lens, & Aion LED driver (power supply). Dimmer not included. Approved dimmers, controls, power supplies, cable, & other components only. Contact Aion LED for questions regarding compatibility. Electrician installed. Strictly adhere to NEC & local building code. Limited 5-year warranty against manufacturing defects only, does not cover labor; voided by: inadequate ventilation, field modifications, installation by unqualified personnel, unapproved controls, drivers, cabling, other devices, not following installation guidelines & protocol, general negligence. Installer assumes all liability with regard to property & safety. This product is UL listed. See separate "Aion LED Warranty Terms" & additional instructional materials for more information. Authorized installers only. Systems tested prior to shipping.

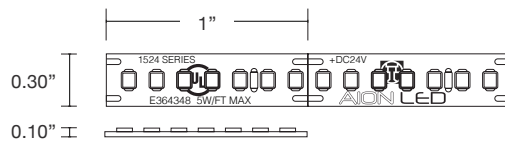
PRELIMINARY SPECIFICATION, SUBJECT TO CHANGE WITHOUT NOTICE


9524-FR

≤ 1,100 Lm/ft.*
95+ CRI
10.7W /ft.*

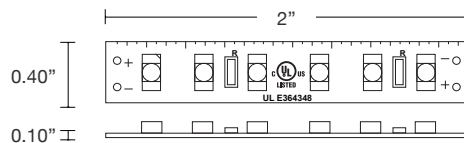
Min: 4 in.
Max: 8 ft. /Class 2 4A circuit
(96W)

PRELIMINARY SPECIFICATION, SUBJECT TO CHANGE WITHOUT NOTICE


1000 Series

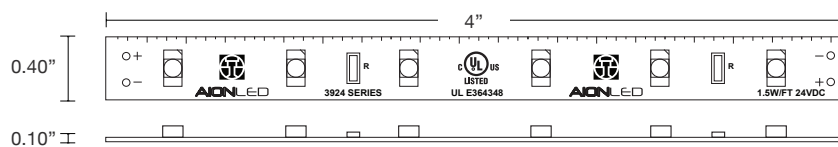
≤ 427 Lm/ft.
95+CRI
5.7W /ft.

Min: 1 in.
Max: 15 ft.


4000 Series

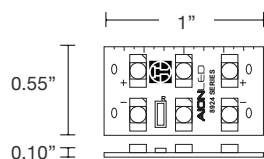
≤ 236 Lm/ft.
90+CRI
2.8W /ft.

Min: 2 in.
Max: 30 ft.


3000 Series

≤ 116 Lm/ft.
90+CRI
1.4W /ft.

Min: 4 in.
Max: 32 ft.
Class 2 Circuit Limitation=56'


8000 Series

≤ 463 Lm/ft.
90+CRI
5.6W /ft.

Min: 1 in.
Max: 15 ft.

Components of a complete system include: Aion LED A-Track Light Engine, Aion LED A-Track housing with diffuser lens, & Aion LED driver (power supply). Dimmer not included. Approved dimmers, controls, power supplies, cable, & other components only. Contact Aion LED for questions regarding compatibility. Electrician installed. Strictly adhere to NEC & local building code. Limited 5-year warranty against manufacturing defects only, does not cover labor; voided by: inadequate ventilation, field modifications, installation by unqualified personnel, unapproved controls, drivers, cabling, other devices, not following installation guidelines & protocol, general negligence. Installer assumes all liability with regard to property & safety. This product is UL listed. See separate "Aion LED Warranty Terms" & additional instructional materials for more information. Authorized installers only. Systems tested prior to shipping.

PRELIMINARY SPECIFICATION, SUBJECT TO CHANGE WITHOUT NOTICE

9524-FR

Ultra High Output Luminaire with Rigid Board



10.7 W /ft.*
 ≤ 1,100 Lumens /ft.*

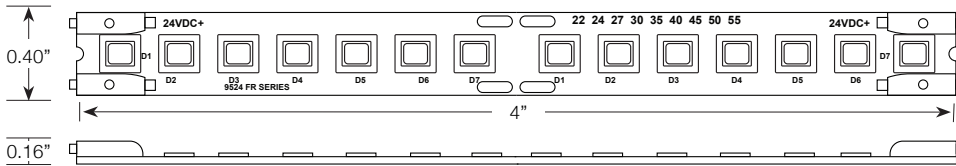
Rated lifetime:
 50,000 hours min.

Available in 12" & 48"
 Connectible end to end

Minimum Increment: 4"

Requires Heat Sink

Also available:
 9524-FRS Scored Rigid Board



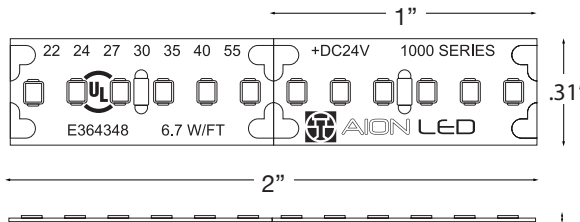
	9524-22-FR	9524-24-FR	9524-27-FR	9524-30-FR	9524-35-FR	9524-40-FR	9524-55-FR
Total Lumens	840.13		1004.98	1047.29	1094.83	1117.04	
Input Power (W)	10.70		10.67	10.75	10.69	10.7	
Efficacy	79		94	97	102	105	
Color Rendering Index (CRI)	95		97	98	97	96	
R9	82.02		92.62	89.68	97.92	94.96	
Input Voltage (VDC)	24	24	24	24	24	24	24
Input Current (AMP)	0.45		0.44	0.45	0.45	0.44	
Correlated Color Temperature	2150K	2350K	2650K	2950K	3450K	3950K	5500K



PRELIMINARY SPECIFICATION, SUBJECT TO CHANGE WITHOUT NOTICE

Components of a complete system include: Aion LED A-Track Light Engine, Aion LED A-Track housing with diffuser lens, & Aion LED driver (power supply). Dimmer not included. Approved dimmers, controls, power supplies, cable, & other components only. Contact Aion LED for questions regarding compatibility. Electrician installed. Strictly adhere to NEC & local building code. Limited 5-year warranty against manufacturing defects only, does not cover labor; voided by: inadequate ventilation, field modifications, installation by unqualified personnel, unapproved controls, drivers, cabling, other devices, not following installation guidelines & protocol, general negligence. Installer assumes all liability with regard to property & safety. This product is UL listed. See separate "Aion LED Warranty Terms" & additional instructional materials for more information. Authorized installers only. Systems tested prior to shipping.

1524-LE
Mid Output



- 95+ CRI
- 5.5 W /ft.
- 427 Lumens /ft.
- 1" Cut Increment
- UL CLASS 2
- IP20 Dry Location
- 50,000 Hour Minimum Lifespan

	27	30
Correlated Color Temperature (K)	2650	2950
Color Rendering Index (CRI)	98	98
Lumens /Ft.	398	427.82
Input Power (W)	5.76	5.71
Efficacy	69.19	74.97
R9	89.07	91.10
Input Voltage (VDC)	24.00	24.00



REQUIRES AION LED DRIVER, APPROVED CONTROLLER AND MT Series HOUSING
-Sold Separately, Not Included

Components of a complete system include: Aion LED A-Track Light Engine, Aion LED A-Track housing with diffuser lens, & Aion LED driver (power supply). Dimmer not included. Approved dimmers, controls, power supplies, cable, & other components only. Contact Aion LED for questions regarding compatibility. Electrician installed. Strictly adhere to NEC & local building code. Limited 5-year warranty against manufacturing defects only, does not cover labor; voided by: inadequate ventilation, field modifications, installation by unqualified personnel, unapproved controls, drivers, cabling, other devices, not following installation guidelines & protocol, general negligence. Installer assumes all liability with regard to property & safety. This product is UL listed. See separate "Aion LED Warranty Terms" & additional instructional materials for more information. Authorized installers only. Systems tested prior to shipping.

8924-LE

High Output

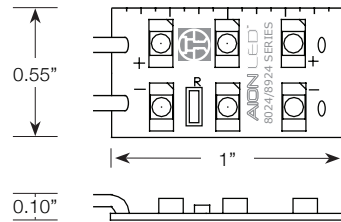


90+CRI
5.6W /ft.
≤ 463 Lm/ft.

RANGE BY CCT (X-Y)

Max. Increment:
15 ft.

Min. Increment:
1 in.



	8924-22-LE	8924-24-LE	8924-26-LE	8924-27-LE	8924-30-LE	8924-35-LE	8924-40-LE
Total Lumens	334.07	388.94	374.73	391.09	415.76	438.80	446
Input Power (W)	5.48	5.65	5.47	5.27	5.29	5.36	5.56
Efficacy	61	69	68	74	79	82	80
Color Rendering Index (CRI)	94	91	97	93	93	92	
R9	69.54	52.05	82.26	66.59	69	70	
Input Voltage (VDC)	24	24	24	24	24	24	24
Input Current (AMP)	0.23	0.24	0.23	0.22	0.22	0.22	0.23
Correlated Color Temperature	2150K	2400K	2550K	2700K	2950K	3450K	3950K



Components of a complete system include: Aion LED A-Track Light Engine, Aion LED A-Track housing with diffuser lens, & Aion LED driver (power supply). Dimmer not included. Approved dimmers, controls, power supplies, cable, & other components only. Contact Aion LED for questions regarding compatibility. Electrician installed. Strictly adhere to NEC & local building code. Limited 5-year warranty against manufacturing defects only, does not cover labor; voided by: inadequate ventilation, field modifications, installation by unqualified personnel, unapproved controls, drivers, cabling, other devices, not following installation guidelines & protocol, general negligence. Installer assumes all liability with regard to property & safety. This product is UL listed. See separate "Aion LED Warranty Terms" & additional instructional materials for more information. Authorized installers only. Systems tested prior to shipping.



AIONLED.COM | (415) 255-AION

Modified: March 14, 2018

© 2018 Aion LED. All Rights Reserved

4924-LE

Mid Output



90+CRI

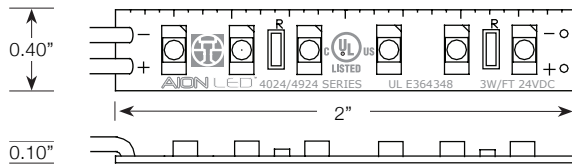
2.8W /ft.

≤ 236 Lm/ft.

RANGE BY CCT (X-Y)

Max. Increment:
30 ft.

Min. Increment:
2 in.



4924-22-LE 4924-24-LE 4924-26-LE 4924-27-LE 4924-30-LE 4924-35-LE 4924-40-LE

	4924-22-LE	4924-24-LE	4924-26-LE	4924-27-LE	4924-30-LE	4924-35-LE	4924-40-LE
TOTAL LUMENS	126.64	193.43	190.98	165.23	206.60	222.05	225.43
INPUT POWER (W)	2.26	2.82	2.83	2.19	2.61	2.65	2.81
EFFICACY	56.80	69	68	76	79	84	80
COLOR RENDERING INDEX (CRI)	94	91	97	92	92	92	
R9	71.30	52.71	83.61	66.04	68.06	69.25	
INPUT VOLTAGE (VDC)	24	24	24	24	24	24	24
INPUT CURRENT (AMP)	0.09	0.12	0.12	0.09	0.11	0.11	0.12
CORRELATED COLOR TEMPERATURE	2150K	2400K	2550K	2700K	2950K	3450K	3950K



Components of a complete system include: Aion LED A-Track Light Engine, Aion LED A-Track housing with diffuser lens, & Aion LED driver (power supply). Dimmer not included. Approved dimmers, controls, power supplies, cable, & other components only. Contact Aion LED for questions regarding compatibility. Electrician installed. Strictly adhere to NEC & local building code. Limited 5-year warranty against manufacturing defects only, does not cover labor; voided by: inadequate ventilation, field modifications, installation by unqualified personnel, unapproved controls, drivers, cabling, other devices, not following installation guidelines & protocol, general negligence. Installer assumes all liability with regard to property & safety. This product is UL listed. See separate "Aion LED Warranty Terms" & additional instructional materials for more information. Authorized installers only. Systems tested prior to shipping.



AIONLED.COM | (415) 255-AION

Modified: March 14, 2018

© 2018 Aion LED. All Rights Reserved

3924-LE

Standard Output



90+CRI

1.4W /ft.

≤ 116 Lm/ft.

RANGE BY CCT (X-Y)

Class 2 Circuit Limitation:

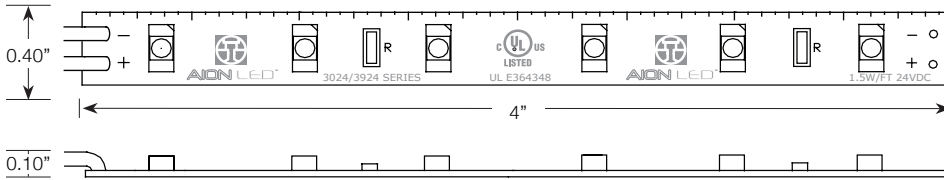
56'

Max. Increment:

32 ft.

Min. Increment:

4 in.



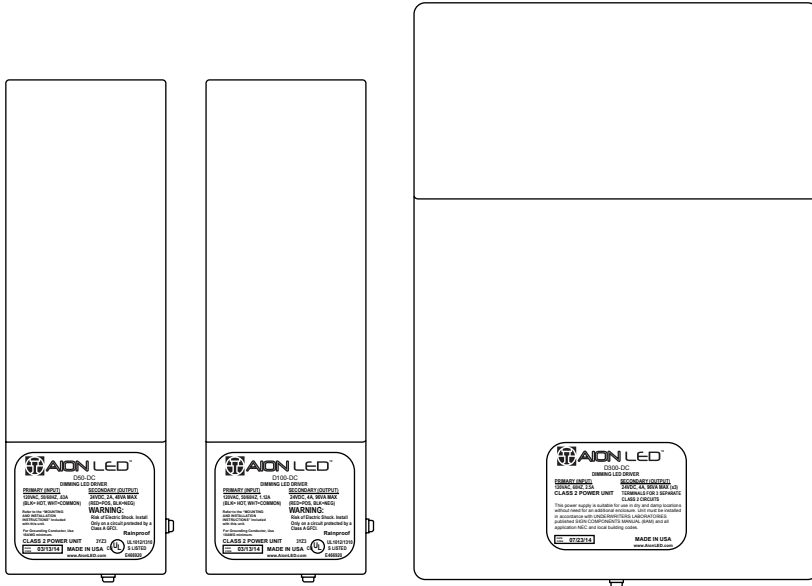
	3924-22-LE	3924-24-LE	3924-26-LE	3924-27-LE	3924-30-LE	3924-35-LE	3924-40-LE
TOTAL LUMENS	80.84	100.17	93.77	99.38	107.50	111.24	118
INPUT POWER (W)	1.40	1.44	1.37	1.33	1.35	1.32	1.43
EFFICACY	57.71	70	69	75	80	84	82
COLOR RENDERING INDEX (CRI)	94	91	96	92	92	91	
R9	71.10	53.18	83.25	66.10	69.20	67.88	
INPUT VOLTAGE (VDC)	24	24	24	24	24	24	24
INPUT CURRENT (AMP)	0.06	0.06	0.06	0.06	0.06	0.05	0.06
CORRELATED COLOR TEMPERATURE	2150K	2400K	2550K	2700K	2950K	3450K	3950K



Components of a complete system include: Aion LED A-Track Light Engine, Aion LED A-Track housing with diffuser lens, & Aion LED driver (power supply). Dimmer not included. Approved dimmers, controls, power supplies, cable, & other components only. Contact Aion LED for questions regarding compatibility. Electrician installed. Strictly adhere to NEC & local building code. Limited 5-year warranty against manufacturing defects only, does not cover labor; voided by: inadequate ventilation, field modifications, installation by unqualified personnel, unapproved controls, drivers, cabling, other devices, not following installation guidelines & protocol, general negligence. Installer assumes all liability with regard to property & safety. This product is UL listed. See separate "Aion LED Warranty Terms" & additional instructional materials for more information. Authorized installers only. Systems tested prior to shipping.

DC Blue Series

MLV



Premium Class 2 Dimming
LED Driver

Magnetic Low Voltage Transformer

Pure DC MOSFET Supply

Fully Regulated

0.1% DIMMING*

MADE IN USA

Multiple Inputs Available:
120, 240, 277 VAC

UL LISTED 8750,
CSA Approved

NEMA 3R Outdoor Case

Manual reset overload protection

5 Year Warranty

Electrician Installed - Strictly adhere to NEC & local code. Requires minimum 4" space in all directions. Requires adequate ventilation. Use dedicated circuit Isolated from other appliances. Load 40 - 90%

Requires Aion LED brand lighting fixture and approved dimmer or switch. Sold separately, not included

DO NOT USE PHASE ADAPTIVE
CONTROLS FORWARD PHASE MLV
CONTROLS ONLY

*SEE APPROVED
CONTROLS LIST



Components of a complete system include: Aion LED A-Track Light Engine, Aion LED A-Track housing with diffuser lens, & Aion LED driver (power supply). Dimmer not included. Approved dimmers, controls, power supplies, cable, & other components only. Contact Aion LED for questions regarding compatibility. Electrician installed. Strictly adhere to NEC & local building code. Limited 5-year warranty against manufacturing defects only, does not cover labor; voided by: inadequate ventilation, field modifications, installation by unqualified personnel, unapproved controls, drivers, cabling, other devices, not following installation guidelines & protocol, general negligence. Installer assumes all liability with regard to property & safety. This product is UL listed. See separate "Aion LED Warranty Terms" & additional instructional materials for more information. Authorized installers only. Systems tested prior to shipping.



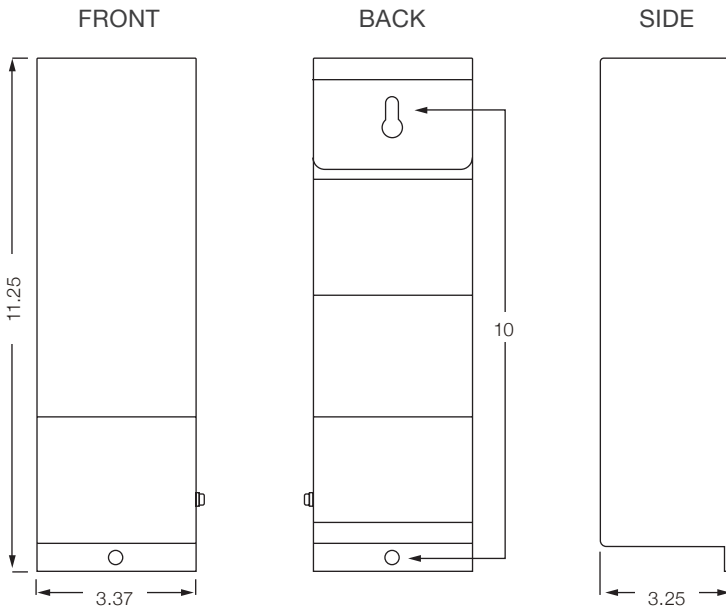
AIONLED.COM | (415) 255-AION

Modified: March 14, 2018

© 2018 Aion LED. All Rights Reserved

D50-DC

50 WATT MLV DRIVER



Premium Class 2 Dimming
LED Driver

Magnetic Low Voltage Transformer

Pure DC MOSFET Supply

Fully Regulated

0.1% DIMMING*
MADE IN USA

UL LISTED 8750,
CSA Approved

NEMA 3R Outdoor Case

Manual reset overload protection

Model	D50-DC	Watts	48
Standard Input Voltage	120 VAC	Dimensions "	11.25 X 3.37 X 3.25
Output Voltage Loaded	24 VDC	Input Current	.63A
Output Current	2A, 48W	Input Frequency (Hz)	50-60
Current Limit	2.5/4.5 +/- 0.25	Efficiency	80%
Load Regulation	2%	MTBF	100,000
Line Regulation	5%	Operating Environment	-30 to +60
Function Surface Temp	-40 to +80		

Max Length

3000 Series	30 ft.
4000 Series	15 ft.
8000 Series	7.5 ft.

Max Wire Distance

18 AWG	55 ft.
16 AWG	88 ft.
14 AWG	140 ft.
12 AWG	224 ft.
10 AWG	360 ft.
8 AWG	574 ft.



DO NOT USE PHASE-ADAPTIVE CONTROLS FORWARD
PHASE MLV CONTROLS ONLY
*SEE APPROVED CONTROLS LIST

Components of a complete system include: Aion LED A-Track Light Engine, Aion LED A-Track housing with diffuser lens, & Aion LED driver (power supply). Dimmer not included. Approved dimmers, controls, power supplies, cable, & other components only. Contact Aion LED for questions regarding compatibility. Electrician installed. Strictly adhere to NEC & local building code. Limited 5-year warranty against manufacturing defects only, does not cover labor; voided by: inadequate ventilation, field modifications, installation by unqualified personnel, unapproved controls, drivers, cabling, other devices, not following installation guidelines & protocol, general negligence. Installer assumes all liability with regard to property & safety. This product is UL listed. See separate "Aion LED Warranty Terms" & additional instructional materials for more information. Authorized installers only. Systems tested prior to shipping.



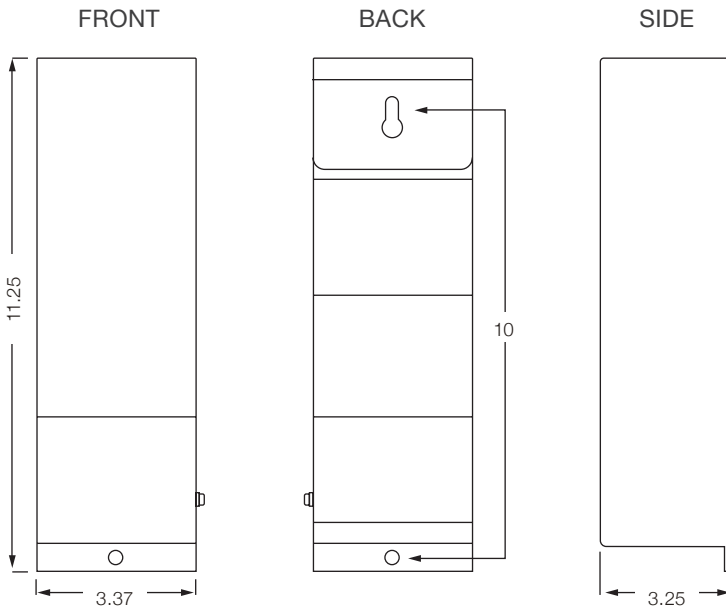
AIONLED.COM | (415) 255-AION

Modified: March 14, 2018

© 2018 Aion LED. All Rights Reserved

D100-DC

100 WATT MLV DRIVER



Premium Class 2 Dimming
LED Driver

Magnetic Low Voltage Transformer

Pure DC MOSFET Supply

Fully Regulated

0.1% DIMMING*
MADE IN USA

UL LISTED 8750,
CSA Approved

NEMA 3R Outdoor Case

Manual reset overload protection

Model	D100-DC	Watts	96
Standard Input Voltage	120 VAC	Dimensions "	11.25 X 3.37 X 3.25
Output Voltage Loaded	24 VDC	Input Current	1.12A
Output Current	4A, 96W	Input Frequency (Hz)	50-60
Current Limit	2.5/4.5 +/- 0.25	Efficiency	80%
Load Regulation	2%	MTBF	100,000
Line Regulation	5%	Operating Environment	-30 to +60
Function Surface Temp	-40 to +80		

Max Lengths

3000 Series	60 ft. (2 x 30)
4000 Series	30 ft.
8000 Series	15 ft.

Max Wire Distance

18 AWG	27 ft.
16 AWG	44 ft.
14 AWG	70 ft.
12 AWG	112 ft.
10 AWG	180 ft.
8 AWG	286 ft.



DO NOT USE PHASE-ADAPTIVE CONTROLS FORWARD
PHASE MLV CONTROLS ONLY
*SEE APPROVED CONTROLS LIST

Components of a complete system include: Aion LED A-Track Light Engine, Aion LED A-Track housing with diffuser lens, & Aion LED driver (power supply). Dimmer not included. Approved dimmers, controls, power supplies, cable, & other components only. Contact Aion LED for questions regarding compatibility. Electrician installed. Strictly adhere to NEC & local building code. Limited 5-year warranty against manufacturing defects only, does not cover labor; voided by: inadequate ventilation, field modifications, installation by unqualified personnel, unapproved controls, drivers, cabling, other devices, not following installation guidelines & protocol, general negligence. Installer assumes all liability with regard to property & safety. This product is UL listed. See separate "Aion LED Warranty Terms" & additional instructional materials for more information. Authorized installers only. Systems tested prior to shipping.



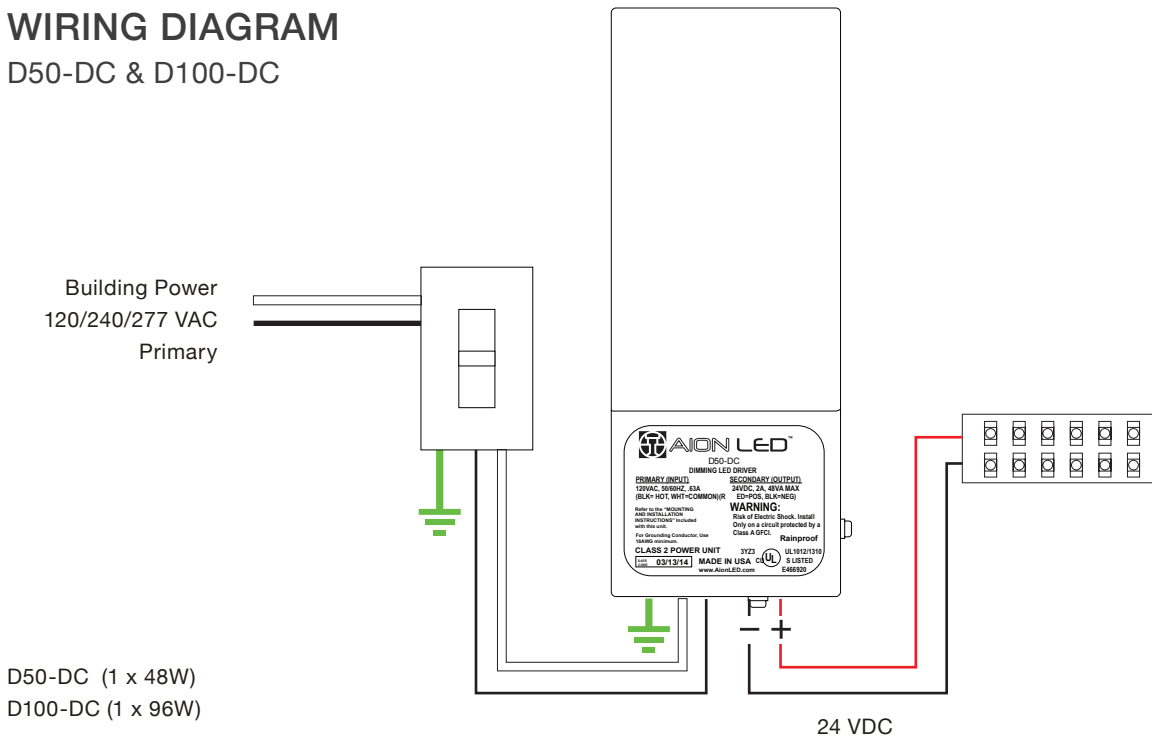
AIONLED.COM | (415) 255-AION

Modified: March 14, 2018

© 2018 Aion LED. All Rights Reserved

WIRING DIAGRAM

D50-DC & D100-DC

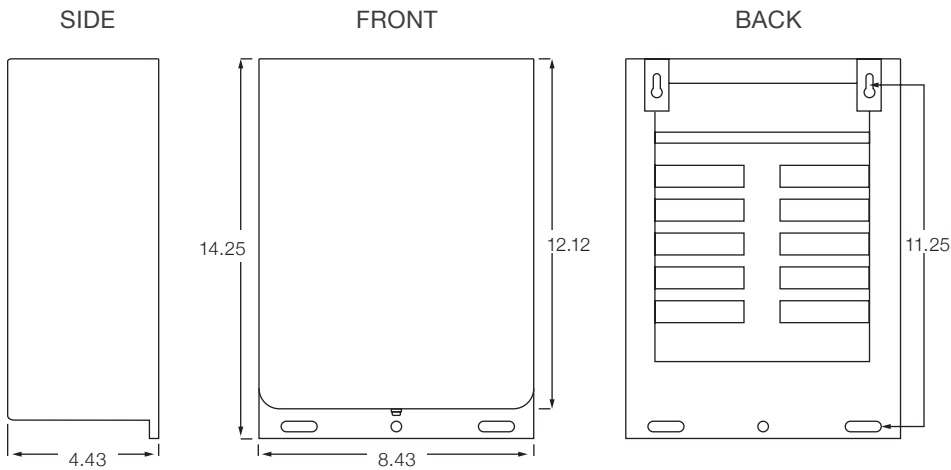


Installation Instructions

- This unit must be located 1 foot or greater above the deck or ground level. 4" space required between units.
 - Mount this unit on a suitable vertical surface with conduit openings down.
 - Using a ruler, measure the vertical mounting point distance for the brackets provided on the back of the enclosure.
 - Mark the mounting surface and drill a minimum of 2 holes to match the bracket hole centers. Size the drill to accommodate #10 mounting hardware.
 - If keyhole mounting brackets are provided, insert the hardware at the mounting point to allow for 3/16" spacing between the screw head and the mounting surface to accommodate the bracket thickness.
 - Refer to the product labeling for detailed line and load wiring procedure.
- Input connection: use No. 12-18 AWG wires insulated for a minimum of 90C, rated for 600V.
Output Connection: use No. 12-18 AWG class 2/3 low voltage wires.
 - Use wire connectors suitable for the number and size conductors being connected and applied in accordance with the manufacturer's instructions.
 - Minimum 20 amp supply side branch circuit.
 - A disconnect device shall be located in the field wiring.
- Aion LED DC Blue Series drivers have been factory tested for use with specific 120 VAC dimmers designed for magnetic (MLV) forward-phase loads.
- PLEASE SEE APPROVED DIMMERS PAGE FOR COMPATIBLE CONTROLS. DO NOT ATTEMPT CONNECTING UNAPPROVED DIMMERS OR CONTROLS. DAMAGE TO THE DIMMER, FIXTURE AND/OR THE POWER UNIT WILL RESULT; THE POWER UNIT WARRANTY WILL BE VOIDED.
- Please load 40–90% MAX. Please see specifications page for fixture-specific max load/ run length information.

D300-DC3

3 x 96W WATT MLV DRIVER



Premium Class 2 Dimming
LED Driver

Magnetic Low Voltage Transformer

Pure DC MOSFET Supply

Fully Regulated

0.1% DIMMING*
MADE IN USA

UL LISTED 8750,
CSA Approved

NEMA 3R Outdoor Case

Manual reset overload protection

Model	D300-DC3	Watts	3x 96W
Standard Input Voltage	120 VAC	Dimensions "	14.25 x 8.43 x 4.43
Output Voltage Loaded	24 VDC	Input Current	2.5A
Output Current	3 x 96W Class 2 Circuits	Input Frequency (Hz)	50-60
Current Limit	2.5/4.5 +/- 0.25	Efficiency	80%
Load Regulation	2%	MTBF	100,000
Line Regulation	5%	Operating Environment	-30 to +60
Function Surface Temp	-40 to +80		

Max Lengths

3000 Series	180 ft. (6 x 30)
4000 Series	90 ft. (3 x 30)
8000 Series	45 ft. (3 x 15)

Max Wire Distance

18 AWG	27 ft.
16 AWG	44 ft.
14 AWG	70 ft.
12 AWG	112 ft.
10 AWG	180 ft.
8 AWG	286 ft.



DO NOT USE PHASE-ADAPTIVE CONTROLS FORWARD
PHASE MLV CONTROLS ONLY
*SEE APPROVED CONTROLS LIST

Components of a complete system include: Aion LED A-Track Light Engine, Aion LED A-Track housing with diffuser lens, & Aion LED driver (power supply). Dimmer not included. Approved dimmers, controls, power supplies, cable, & other components only. Contact Aion LED for questions regarding compatibility. Electrician installed. Strictly adhere to NEC & local building code. Limited 5-year warranty against manufacturing defects only, does not cover labor; voided by: inadequate ventilation, field modifications, installation by unqualified personnel, unapproved controls, drivers, cabling, other devices, not following installation guidelines & protocol, general negligence. Installer assumes all liability with regard to property & safety. This product is UL listed. See separate "Aion LED Warranty Terms" & additional instructional materials for more information. Authorized installers only. Systems tested prior to shipping.



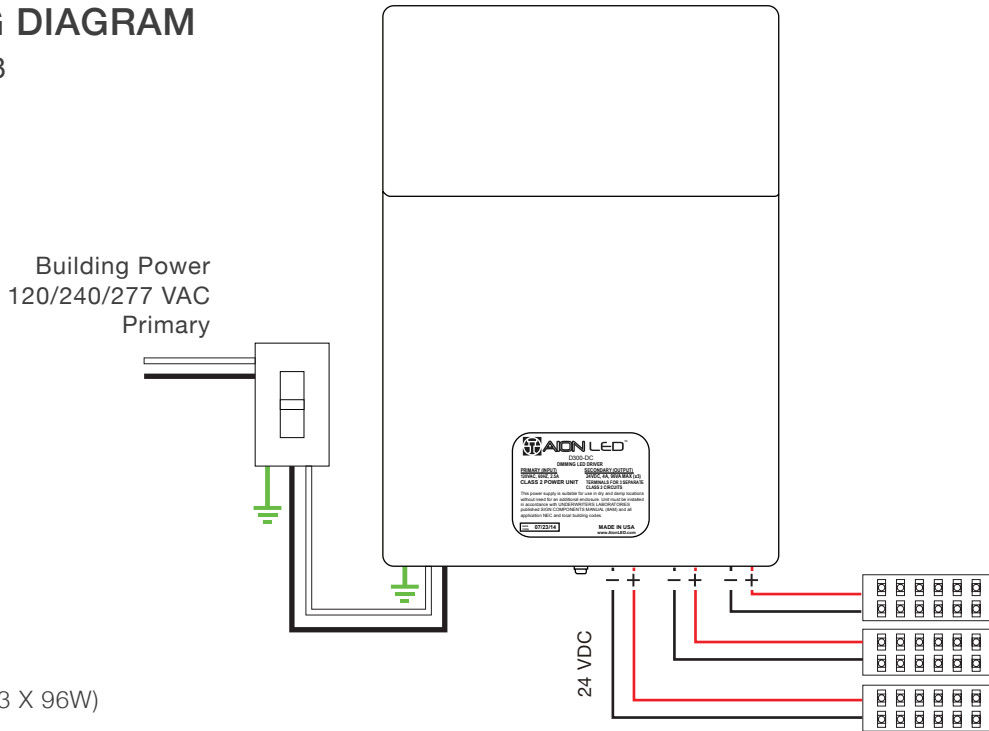
AIONLED.COM | (415) 255-AION

Modified: March 14, 2018

© 2018 Aion LED. All Rights Reserved

WIRING DIAGRAM

D300-DC3



D300-DC3 (3 X 96W)

Installation Instructions

1. This unit must be located 1 foot or greater above the deck or ground level. 4" space required between units.
 2. Mount this unit on a suitable vertical surface with conduit openings down.
 3. Using a ruler, measure the vertical mounting point distance for the brackets provided on the back of the enclosure.
 4. Mark the mounting surface and drill a minimum of 2 holes to match the bracket hole centers. Size the drill to accommodate #10 mounting hardware.
 5. If keyhole mounting brackets are provided, insert the hardware at the mounting point to allow for 3/16" spacing between the screw head and the mounting surface to accommodate the bracket thickness.
 6. Refer to the product labeling for detailed line and load wiring procedure.
- Input connection: use No. 12-18 AWG wires insulated for a minimum of 90C, rated for 600V. Output Connection: use No. 12-18 AWG class 2/3 low voltage wires.
 - Use wire connectors suitable for the number and size conductors being connected and applied in accordance with the manufacturer's instructions.
 - Minimum 20 amp supply side branch circuit.
 - A disconnect device shall be located in the field wiring.

Aion LED DC Blue Series drivers have been factory tested for use with specific 120 VAC dimmers designed for magnetic (MLV) forward-phase loads.

PLEASE SEE APPROVED DIMMERS PAGE FOR COMPATIBLE CONTROLS. DO NOT ATTEMPT CONNECTING UNAPPROVED DIMMERS OR CONTROLS. DAMAGE TO THE DIMMER AND/OR THE POWER UNIT WILL RESULT; THE POWER UNIT WARRANTY WILL BE VOIDED.

Please load 40–90% MAX. Please see specifications page for fixture-specific max load/ run length information.

Lutron	MAESTRO: MRF2-6ND	0.1-1%*	(DO NOT RECOMMEND MALV-600)
	NOVA: NTLV-600	0.1-1%*	HE TRIM
	HOMEWORKS QS: RPM-4U HQRD-10ND HQRD-6ND HQRD-6CL (H2) HQRA-6CL (H2)	0.1-1%*	(DO NOT RECOMMEND RPM-4A) DO NOT SHARE WITH OTHER LOADS HE TRIM (DO NOT RECOMMEND 6NA)
	HOMEWORKS: HxD-6ND HW/LP RPM -4U-120 [†]	0.1-1%*	HE TRIM [†] (DO NOT RECOMMEND RPM-4A) DO NOT SHARE WITH OTHER LOADS
	RADIO RA2: RRD-10ND RRD-6CL(R3)	0.1-1%*	(DO NOT RECOMMEND 6NA) HE TRIM
	GRAFIK EYE QS: QSGRJ-3P QSGRJ-4P QSGRJ-6P	0.1-1%*	HE TRIM
	GRAFIK EYE 3000: HWI-WPM-6D-120	0.1-1%*	HE TRIM
	STANZA: SZ-6ND	0.1-1%*	HE TRIM
	PHPM-PA FORWARD-PHASE ONLY PHPM-PA-120-FP-WH-CPN6366 PHPM-PA-DV-FP-WH-CPN6366	0.1-1%*	HE TRIM USE WITH UP & RP
	PHPM-WBX	0.1-1%*	HE TRIM
PANEL MODULE: GP (Harrier) Card	0.1-1%*	HE TRIM	
CASETA WIRELESS: PD-6WCL (SD11)	0.1-1%*	HE TRIM	
ETC	D20AF	0.1%	SENSOR RACK
Forbes & Lomax	ROTARY DIMMER : FLRLV603-P	0.1%	
Vantage	STANDARD DIMMER MODULE SDM12-EM	0.1%	HE TRIM
	WIRELINK SCENEPOINT DIMMER: DS15TE-AWYA	0.1%	HE TRIM
	RADIOLINK SCENEPOINT DIMMER: RD15TE-AWYA	0.1%	HE TRIM
Crestron	GLX-DIM6	0.1%	HE TRIM
Le Grand	ADORN: ADTP703TU(W4)	0.1%	HE TRIM
	ADORN WIRELESS: ADTG700MMTU(W2)	0.1%	HE TRIM

Testing completed by Aion LED and various controls manufacturers to ensure compatibility.

**MLV FORWARD PHASE ONLY.
DO NOT USE ADAPTIVE PHASE CONTROLS**

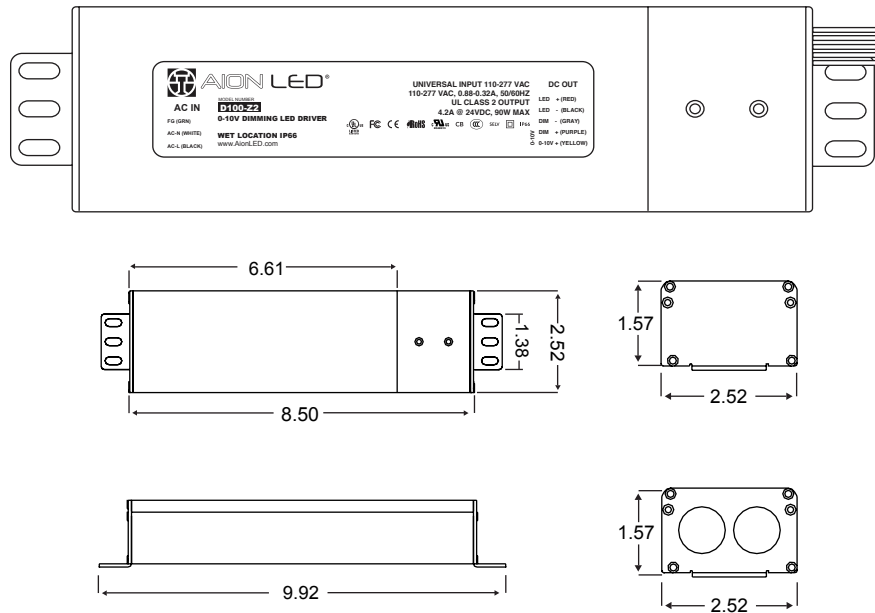
Low-end dimming minimum threshold varies by control and can be set when programming trim levels.

Use high-end trim (HE Trim) to eliminate dead travel, set low trim to lowest level dimmer will allow.

*Lowest dim levels achieved with little or no LE Trim. Dimmer manufacturers may recommend setting LE Trim higher to increase start time when necessary.

Z2 BLUE

LED Driver



0-10V Dimming LED Driver
Sinking and Sourcing

Universal AC Input:
110VAC- 277VAC
50-60 Hz

NEMA 410 Compliant

IP66 Wet Location Rated

Rated Lifetime: 65,000 Hours
5 Year Warranty

Primary and Secondary Wiring
Compartments

UL Listed

International Approval

Model	D100-Z2		
Dimensions (L x W x H)	9.9" x 2.5" x 1.5" (252mm x 64mm x 40mm)	Voltage Input	110-277V AC
Net. Weight	2.25 lbs (1.02 kg)	Input Frequency (Hz)	50 ~ 60 Hz
Output Voltage	24 VDC	Power Factor	>0.92
Output Current	4.2 A Max.	Efficiency	86%
Power	100W	AC Current	0.88A ~ 0.32A
Load Range	60% ~ 100%	Inrush Current	10A@110V AC 23A@277V AC
Line Regulation	±3%	Storage Temperature	-40 ~ +85°C,
Load Regulation	±5%	Working Temperature	-40 ~ +50°C

Wires Standard 	EU 250V Special Order 	UK 250V Special Order 	US 120V Special Order 	Canada 250V Special Order 	Japan 100V Special Order
--------------------	---------------------------	---------------------------	---------------------------	-------------------------------	------------------------------

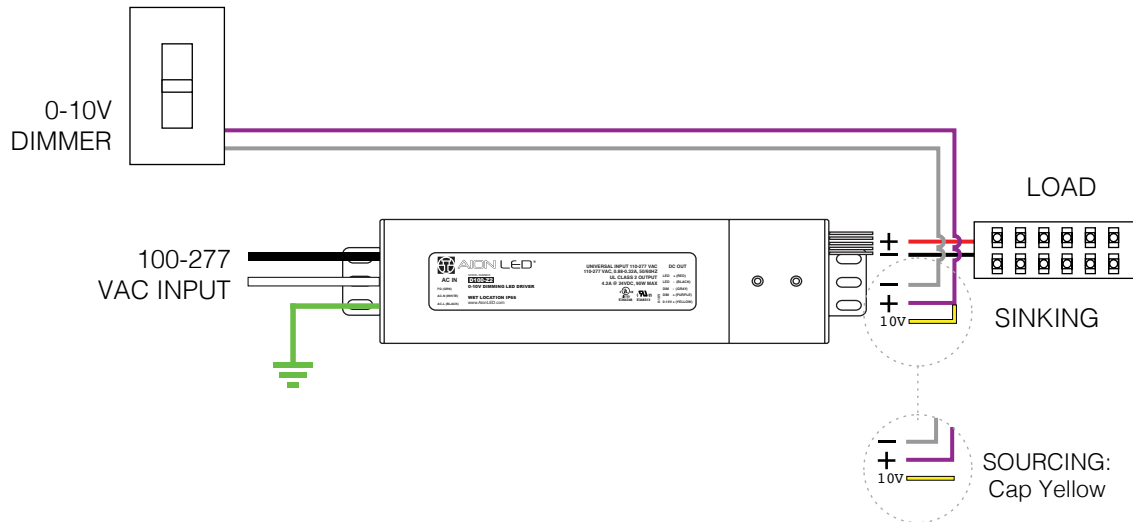


Dims to 5%-10%
(Varies by dimmer model)

Components of a complete system include: Aion LED A-Track Light Engine, Aion LED A-Track housing with diffuser lens, & Aion LED driver (power supply). Dimmer not included. Approved dimmers, controls, power supplies, cable, & other components only. Contact Aion LED for questions regarding compatibility. Electrician installed. Strictly adhere to NEC & local building code. Limited 5-year warranty against manufacturing defects only, does not cover labor; voided by: inadequate ventilation, field modifications, installation by unqualified personnel, unapproved controls, drivers, cabling, other devices, not following installation guidelines & protocol, general negligence. Installer assumes all liability with regard to property & safety. This product is UL listed. See separate "Aion LED Warranty Terms" & additional instructional materials for more information. Authorized installers only. Systems tested prior to shipping.

D100-Z2

Wiring & Installation



Wiring

1. Install per NEC and Local code by qualified personnel
 2. Shut off power at the breaker
 3. AC Input (Primary) Requires 100-277 VAC Power and ground
 4. Connect AC within wiring compartment
 5. This unit requires 4" space in all directions
 6. Refer to the product labeling for detailed line and load wiring procedure
- Purple/ Gray/ Yellow connect to 0-10V Dimmer
Maximum Current Output: 6mA
 - Red/ Black connect to class 2 fixture
 - Load 90% MAX (Reference Max. Lengths Chart)

Approved Dimmers

- Lutron DVSTV
- Lutron NTSTV
- Forbes & Lomax RPS
- All other 0-10V Sinking and Sourcing Dimmers

Max Lengths

9524-FR	8 ft. (2.4m)
1524-LE	15 ft. (4.5m)
8924-LE	15 ft. (4.5m)
4924-LE	30 ft. (9.1m)
3924-LE	2x30 ft. (18.2m)

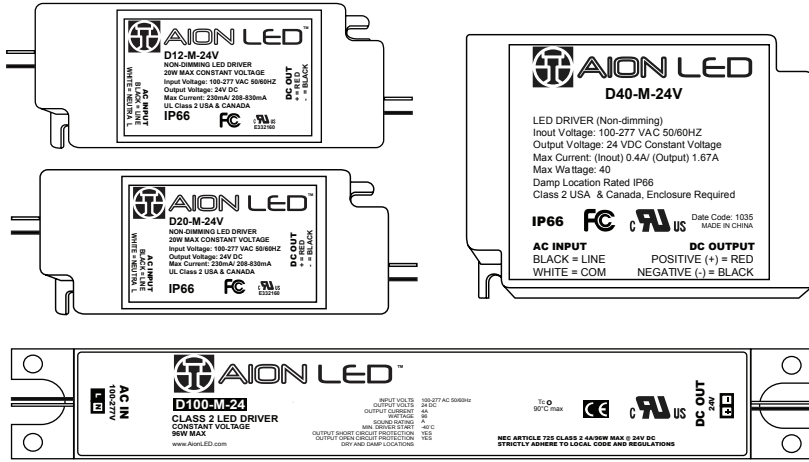
Voltage Drop

18 AWG	27 ft.
16 AWG	44 ft.
14 AWG	70 ft.
12 AWG	112 ft.
10 AWG	180 ft.
8 AWG	286 ft.



Components of a complete system include: Aion LED A-Track Light Engine, Aion LED A-Track housing with diffuser lens, & Aion LED driver (power supply). Dimmer not included. Approved dimmers, controls, power supplies, cable, & other components only. Contact Aion LED for questions regarding compatibility. Electrician installed. Strictly adhere to NEC & local building code. Limited 5-year warranty against manufacturing defects only, does not cover labor; voided by: inadequate ventilation, field modifications, installation by unqualified personnel, unapproved controls, drivers, cabling, other devices, not following installation guidelines & protocol, general negligence. Installer assumes all liability with regard to property & safety. This product is UL listed. See separate "Aion LED Warranty Terms" & additional instructional materials for more information. Authorized installers only. Systems tested prior to shipping.

M SERIES NON DIMMING



Non-Dimming LED Driver

Universal 100-277VAC
Input on all

96W max per
NEC Article 725

Requires adequate ventilation per
NEC Article 450

AC input termination requires
electrical junction box

Electrician Installed

MODEL	D12-M	D20-M	D40-M	D100-M
DIMENSIONS (L-W-H)''	3.74 x 1.61 x 0.98	3.74 x 1.61 x 0.98	3.75 x 2.75 x 1.25	10.3 X 1.5 X 2''
WATTAGE	12	20	40	96
CASE	IP66	IP66	IP66	IP66
INPUT VOLTAGE	120-277 VAC	100-277VAC	100-277-VAC	100 -277V=10% 50/60 Hz
OUTPUT VOLTAGE	24 VDC	24 VDC	24 VDC	24 VDC
VOLTAGE OPEN	25.5 VDC	25.5 VDC	25.5 VDC	25.5 VDC
MAX INPUT CURRENT	0.3 Amps max at 115 VAC	0.25 Amps at 120 VAC	0.6 Amps 100 VAC/ 0.3 Amps 220 VAC	
MAX FEET 3000 SERIES	6.5 ft.	11 ft.	22 ft.	60 ft.
MAX FEET 4000 SERIES	3 ft.	5.5 ft.	11 ft.	30 ft.
MAX FEET 8000 SERIES	1.5 ft.	2 ft.	5.5 ft.	15 ft.



Components of a complete system include: Aion LED A-Track Light Engine, Aion LED A-Track housing with diffuser lens, & Aion LED driver (power supply). Dimmer not included. Approved dimmers, controls, power supplies, cable, & other components only. Contact Aion LED for questions regarding compatibility. Electrician installed. Strictly adhere to NEC & local building code. Limited 5-year warranty against manufacturing defects only, does not cover labor; voided by: inadequate ventilation, field modifications, installation by unqualified personnel, unapproved controls, drivers, cabling, other devices, not following installation guidelines & protocol, general negligence. Installer assumes all liability with regard to property & safety. This product is UL listed. See separate "Aion LED Warranty Terms" & additional instructional materials for more information. Authorized installers only. Systems tested prior to shipping.



AIONLED.COM | (415) 255-AION

Modified: March 14, 2018

© 2018 Aion LED. All Rights Reserved

WIRING DIAGRAM

M SERIES



Installation Instructions

1. Install per NEC and Local code by qualified personnel
2. Requires UL Listed electrical enclosure with adequate ventilation
3. Shut off power at the breaker
4. AC Input (Primary) Requires 100-277 VAC Power and ground
5. Stain-relief wiring to enclosure to prevent wires from pulling out
6. Wire AC power with 18AWG power wire



A SERIES

UL Recognized Model - Requires Enclosure



DIMENSIONS (L-W-H)"	4 x 1.5 x 4	INPUT VOLTAGE	120V
WATTAGE	40 W	CLASS 2 (UL STANDARD)	YES
SECONDARY BREAKER	2A	CASE	DAMP LOCATION, Enclosure Required



D40-A-24

Lutron LTEA4U1UKN-CV240

Hi-Lume 1% 2-Wire LED Driver

D40-A-24-L3D

Lutron L3DA4U1UKN-CV240

Hi-Lume 1% Ecosystem/ 3-Wire LED Driver

Dimming LED Driver

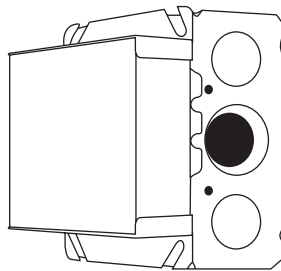
CLASS 2

24 VDC Constant Voltage

Engineered by OEM Partner Lutron Electronics™ to Aion LED Fixture Specifications

A SERIES

UL Listed Model - Pre-Mounted on J-Box by Lutron



DIMENSIONS (L-W-H)"	4.9 x 3 x 1	INPUT VOLTAGE	UNIVERSAL INPUT, 120V-277V
WATTAGE	40 W	CLASS 2 (UL STANDARD)	YES
SECONDARY BREAKER	2A	CASE	DAMP LOCATION, K Case Enclosure



D40-A-24-R

Lutron LTEA4U1UKL-CV240

Hi-Lume 1% 2-Wire LED Driver

D40-A-24-L3D-R

Lutron L3DA4U1UKL-CV240

Hi-Lume 1% Ecosystem/ 3-Wire LED Driver

Dimming LED Driver

CLASS 2

24 VDC Constant Voltage

Engineered by OEM Partner Lutron Electronics™ to Aion LED Fixture Specifications

APPROVED DIMMERS

A SERIES

Recommended 2-Wire Controls

D40-A-24 & D40-A-24-R

NOVA	NLV-600
NOVA Ta	NTLV-600-CPN0199
MAESTRO WIRELESS	MRF2-6ND-120
RADIORA2 WIRELESS	RRD-6ND, 10ND, 6NA
RADIORA WIRELESS	RA-6ND, 10ND
HOMEWORKS QS	HQRD-RND, 10ND, 6NA
HOMEWORKS QS WPM	HQRJ-WPM-6D-120
HOMEWORKS	HRD-6ND, 10ND, HWD-10ND
HOMEWORKS WPM	HWI-WPM-6D-120
GRAFIK EYE QS	HW-RPM-4U-120, LP-RPM-4U-120
RPM-4U	HW-RPM-4A-120, LP-RPM-4A-120
RPM-4A	VARIOUS (CALL)
GC PANELS	SZ-6ND

Max Lengths

3000 Series	22 ft.
4000 Series	11 ft.
8000 Series	5.5 ft.

Max Wire Distance

18 AWG	15 ft.
16 AWG	25 ft.
14 AWG	40 ft.
12 AWG	60 ft.

Ecosystem Digital Controls

D40-A-24-L3D & D40-A-24-L3D-R

PART NUMBER

PowPak® dimming module with EcoSystem®	RMJ-ECO32-DV-B	32 per EcoSystem® link
	FCJ-ECO	3 per EcoSystem® link ²
Energi Savr Node™ with EcoSystem®	QSN-1ECO-S, QSN-2ECO-S	64 per EcoSystem® link
GRAFIK Eye® QS with EcoSystem®	QSGRJ-_E, QSGR-_E	64 per EcoSystem® link ³
Quantum®	VARIOUS	64 per EcoSystem® link

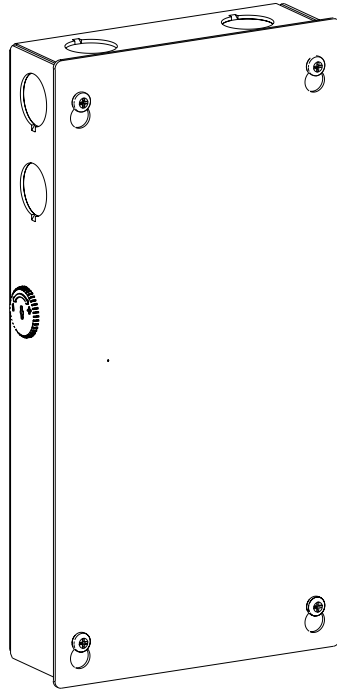
¹ For use with 3-wire controls or Commercial Systems, RadioRAR 2 Systems or Home Systems applications.

² Up to 3 drivers controlled as a single zone (broadcast EcoSystem®).

³ Not available for 277V

A SERIES

Hi-Lume Premier 0.1%



Dimming LED Driver

Soft-On, Fade-to-Black operation: fades smoothly between 0% and 0.1%* when turned on and off for an incandescent like experience

CLASS 2 24V

Engineered by OEM Partner Lutron Electronics™ to Aion LED Fixture Specifications

*Soft-On, Fade-to-Black feature only available when used with ecosystem digital control inputs

Not available with 3-Wire phase control dimmers

MODEL	D100-A Lutron L3D0-96W24-U		
DIMENSIONS (L-W-H)"	5.5 x 2 x 10.5	CASE	DAMP & DRY LOCATION
OUTPUT	24V 96W	RATING	UL Listed
DIMMING RANGE	100% - 0.1%*	OPERATING VOLTAGE	120V - 277V at 50/60Hz
CLASS 2 (UL STANDARD)	YES	INRUSH CURRENT	< 2 A



Components of a complete system include: Aion LED A-Track Light Engine, Aion LED A-Track housing with diffuser lens, & Aion LED driver (power supply). Dimmer not included. Approved dimmers, controls, power supplies, cable, & other components only. Contact Aion LED for questions regarding compatibility. Electrician installed. Strictly adhere to NEC & local building code. Limited 5-year warranty against manufacturing defects only, does not cover labor; voided by: inadequate ventilation, field modifications, installation by unqualified personnel, unapproved controls, drivers, cabling, other devices, not following installation guidelines & protocol, general negligence. Installer assumes all liability with regard to property & safety. This product is UL listed. See separate "Aion LED Warranty Terms" & additional instructional materials for more information. Authorized installers only. Systems tested prior to shipping.

A SERIES

Hi-Lume Premier 0.1%

Recommended 3-Wire Controls

0.1% DIMMING	120 V	277 V
NOVA T	NTF10-, NTF103P-	NTF10-277, NTF103P-277
NOVA	NF10-, NF103P-	NF10-277, NF103P-277
SKYLARK	SF-10P-, SF-103P-	SF-10P-277, SF-103P-277
DIVA	DVF-103P, DVSCF-103P	DVF-103P-277, DVSCF-103P-277
ARIADNI	AYF-103P-	AYF-103P-277
VAREO	VF-10-	—
VIERTI	VTF-6A-	
MAESTRO	MAF-6AM-, MSCF-6AM-	MAF-6AM-277, MSCF-6AM-277
MAESTRO WIRELESS	MRF2-F6AN-DV-	
RADIO RA 2	RRD-F6AN-DV-	
HOMEWORKS	HQRD-F6AN-DV-	
INTERFACES	PHPM-3F-120, PHPM-3F-DV, BCI-0-10	PHPM-3F-DV, BCI-0-10
GP DIMMING PANELS	VARIOUS	

Max Lengths

3000 Series	60 ft. (30x2)
4000 Series	30 ft.
8000 Series	15 ft.

Max Wire Distance

20 AWG	15 ft.
18 AWG	25 ft.
16 AWG	40 ft.
14 AWG	60 ft.
12 AWG	100 ft.
10 AWG	150 ft.

Ecosystem Digital Controls

	120 V	277 V	Recommended System Version
PowPak® Dimming Module with EcoSystem™	RMJ-ECO32-DV-B, URMJ-ECO32-DVB		5.9 or later
PowPak® Wireless Fixture Control with EcoSystem™ ¹	FCJ-ECO ²		Later than 1.25
Energi Savr Node™ unit with EcoSystem™	QSN-1ECO-S, QSN-2ECO-S, QSN-2ECO-PS120, UQSN-1ECO-S, UQSN-2ECO-S		9.027 or later
GRAFIKEye® QS unit with EcoSystem™	QSGRJ-_E, QSGR-_E	—	9.009 or later
Quantum® Light Management Hub	QP2-_P_C	—	3.2 or later ³
HomeWorks® QS with EcoSystem™	LQSE-2ECO-D, QSGRJ-_E, QSGR-_E	—	10 or later

1 For use with 3-wire controls or Commercial Systems, RadioRAR 2 Systems or Home Systems applications.

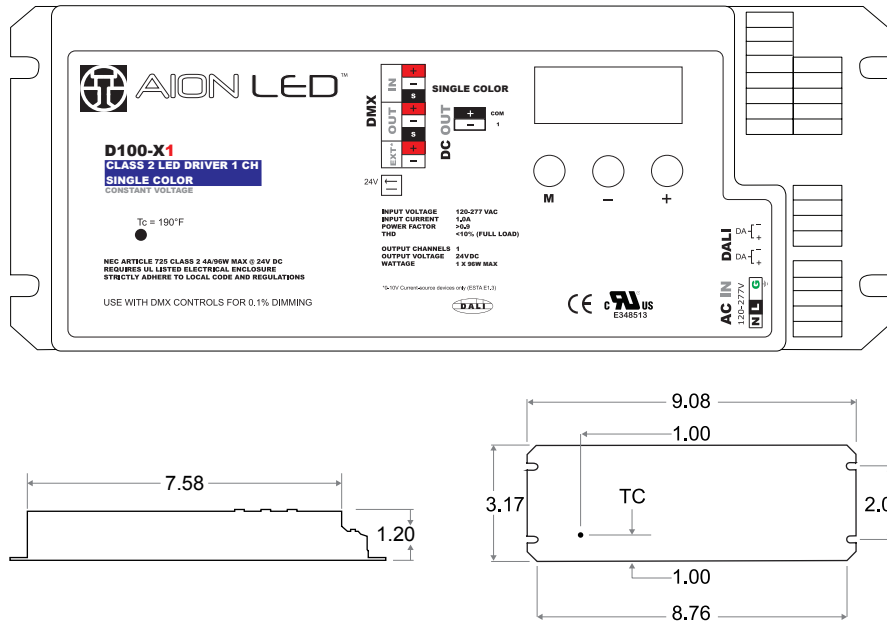
2 Up to 3 drivers controlled as a single zone (broadcast EcoSystem®).

3 Not available for 277V

Components of a complete system include: Aion LED A-Track Light Engine, Aion LED A-Track housing with diffuser lens, & Aion LED driver (power supply). Dimmer not included. Approved dimmers, controls, power supplies, cable, & other components only. Contact Aion LED for questions regarding compatibility. Electrician installed. Strictly adhere to NEC & local building code. Limited 5-year warranty against manufacturing defects only, does not cover labor; voided by: inadequate ventilation, field modifications, installation by unqualified personnel, unapproved controls, drivers, cabling, other devices, not following installation guidelines & protocol, general negligence. Installer assumes all liability with regard to property & safety. This product is UL listed. See separate "Aion LED Warranty Terms" & additional instructional materials for more information. Authorized installers only. Systems tested prior to shipping.

X1

DMX, 1 CHANNEL



- 1 Channel DMX Driver
- Factory Programmed for RGBW+
- Factory Wire Harness for Ease of Installation
- Integrated Class 2 Supply
- LCD interface
- Universal 100-277VAC Input
- UL, CE, & CSA APPROVED
- Default Address 1
- Requires UL Listed Enclosure

MODEL	D100-X1	DIMENSIONS (L-W-H)"	9.06 x 3.15 x 1.18"
CASE	DRY & DAMP	PRIMARY BREAKER	AUTO-RESET
WATTAGE	96W @ 24 VDC	DIMMING	0.1%
INPUT VOLTAGE (Hz)	100-277 VAC, 60HZ	CONTROL TYPE	Aion LED AX5-1 Controller, DTM or 3rd Party Interface
INRUSH CURRENT	120 VAC: 35A 240µs 277 VAC: 75A 240µs	3RD PARTY DMX COMPATIBILITY	Lutron, Vantage, Crestron, ETC AMX (ANY DMX)
INPUT CURRENT	120 VAC: 1.05A 277 VAC: 0.45A	THERMAL CLASS	(B) 130 C
POWER FACTOR	>0.94	MAX FEET 3000 SERIES	60 ft.
VOLTAGE LOADED	23.5 VDC	MAX FEET 4000 SERIES	30 ft.
VOLTAGE OPEN	24.2 VDC	MAX FEET 8000 SERIES	15 ft.



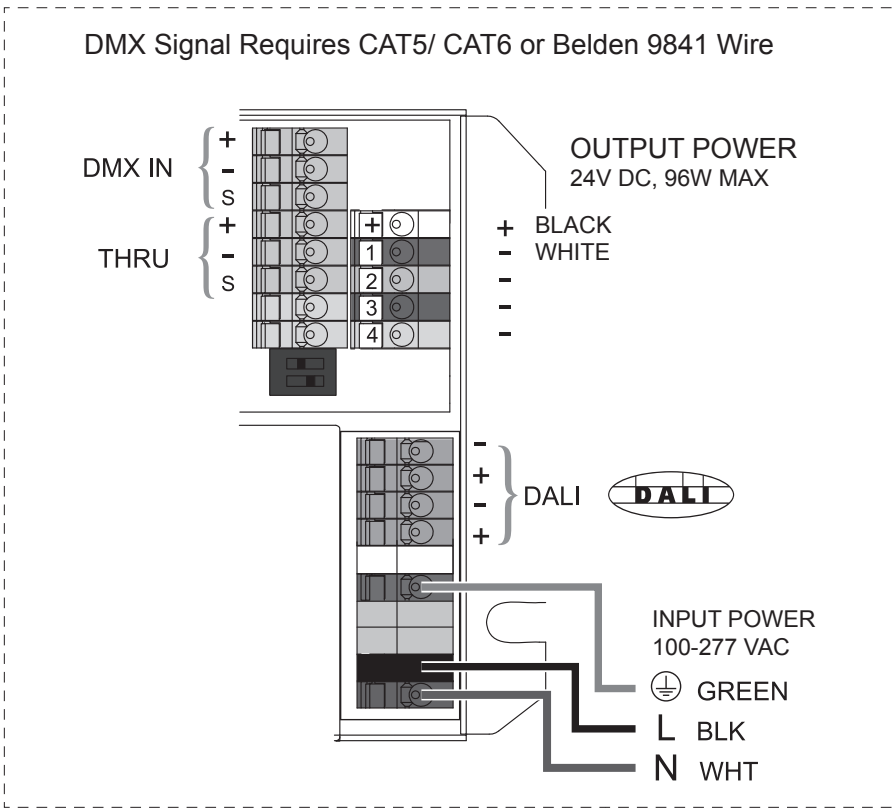
Components of a complete system include: Aion LED A-Track Light Engine, Aion LED A-Track housing with diffuser lens, & Aion LED driver (power supply). Dimmer not included. Approved dimmers, controls, power supplies, cable, & other components only. Contact Aion LED for questions regarding compatibility. Electrician installed. Strictly adhere to NEC & local building code. Limited 5-year warranty against manufacturing defects only, does not cover labor; voided by: inadequate ventilation, field modifications, installation by unqualified personnel, unapproved controls, drivers, cabling, other devices, not following installation guidelines & protocol, general negligence. Installer assumes all liability with regard to property & safety. This product is UL listed. See separate "Aion LED Warranty Terms" & additional instructional materials for more information. Authorized installers only. Systems tested prior to shipping.



AIONLED.COM | (415) 255-AION

Modified: March 14, 2018

© 2018 Aion LED. All Rights Reserved



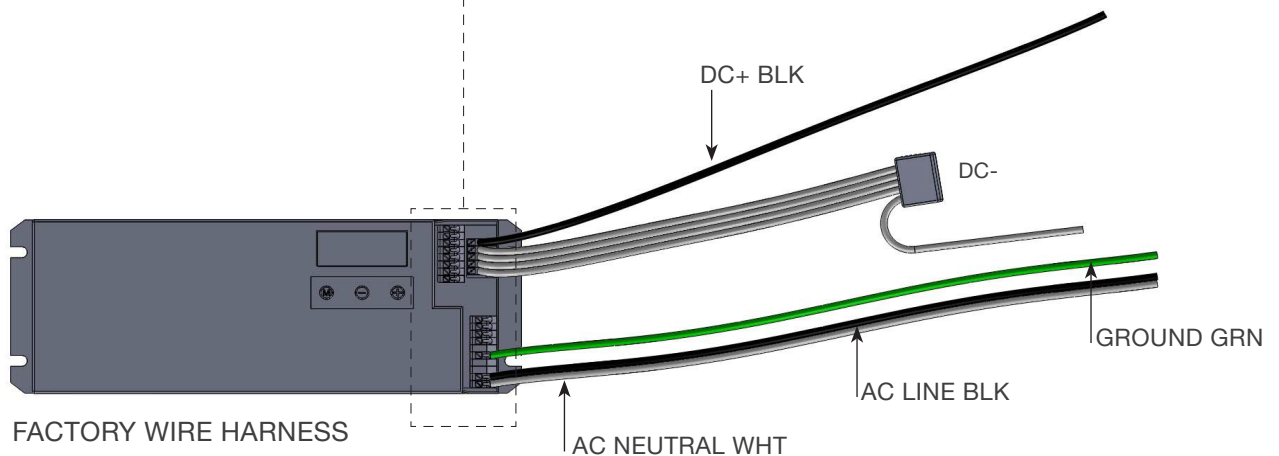
INSTALL PER NEC

Requires:
DMX Controller & Control Wire Daisy Chain

Fixture Load:
Requires 2 Conductor Cable
Black = Common POS +
White = NEG -

AC Input:
LINE (BLK)
NEUTRAL (WHT)
GROUND (GRN)

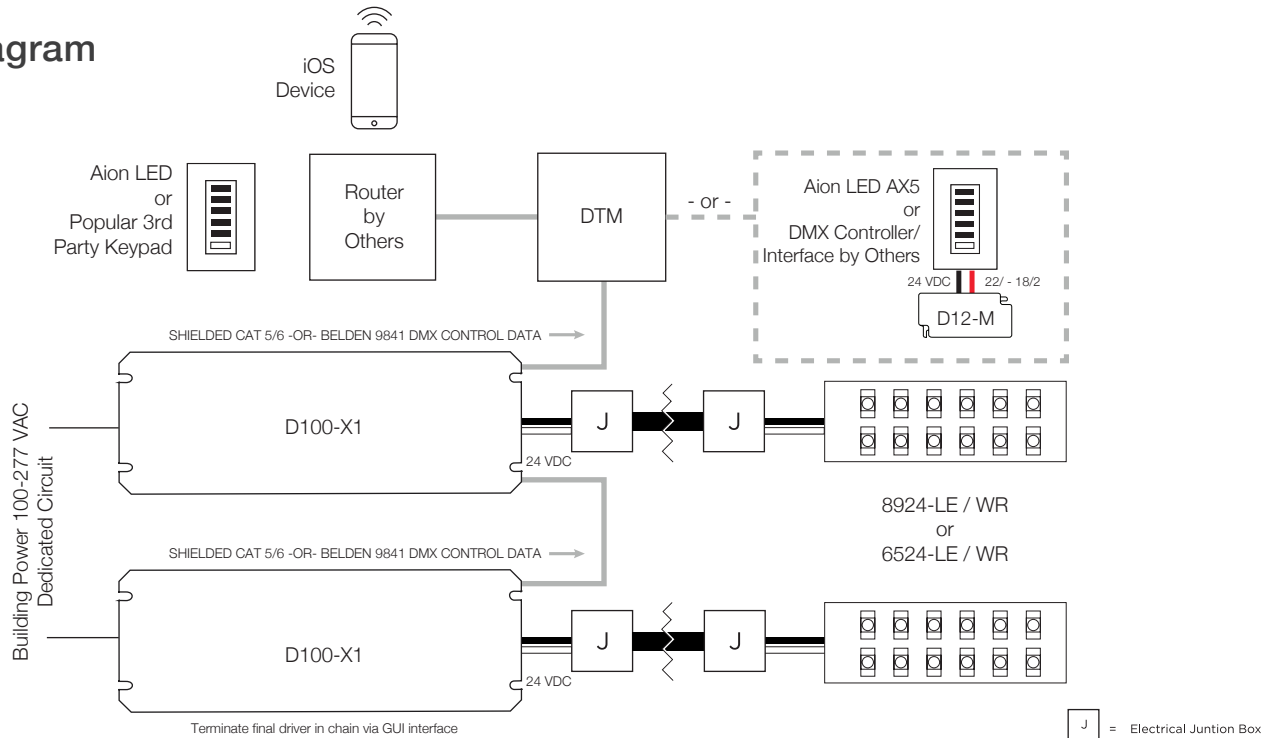
Max Runs:
3000 Series: 60 ft.
4000 Series: 30 ft.
8000 Series: 15 ft.



Components of a complete system include: Aion LED A-Track Light Engine, Aion LED A-Track housing with diffuser lens, & Aion LED driver (power supply). Dimmer not included. Approved dimmers, controls, power supplies, cable, & other components only. Contact Aion LED for questions regarding compatibility. Electrician installed. Strictly adhere to NEC & local building code. Limited 5-year warranty against manufacturing defects only, does not cover labor; voided by: inadequate ventilation, field modifications, installation by unqualified personnel, unapproved controls, drivers, cabling, other devices, not following installation guidelines & protocol, general negligence. Installer assumes all liability with regard to property & safety. This product is UL listed. See separate "Aion LED Warranty Terms" & additional instructional materials for more information. Authorized installers only. Systems tested prior to shipping.

Wiring Diagram

D100-X1



Installation Instructions

1. Install per NEC and Local code by qualified personnel
2. Requires UL Listed enclosure with adequate ventilation
3. Strain-relief wiring to enclosure to prevent wires from pulling out
4. Wire AC power with 18AWG power wire
5. Ensure that jacket goes all the way into connector
6. Connect DMX controller to 'DMX in' on first unit with Belden 9841 DMX wire (plus, minus, shield), -or- shielded CAT5
7. Daisy chain additional units from 'DMX out' to 'DMX' of following unit with Belden 9841 cable -or- shielded CAT5
8. Terminate only the final unit in DMX chain via programming interface
9. Wire fixture to wire harness with wire nuts [White, DC+ (Black)]
10. Drivers are pre-programmed and tested at Aion LED for specific Aion LED fixtures. Each of the four D100-X series models (X1, X2, X3, X4) ship with a separate and unique Aion LED factory wiring harness for plug and play functionality and to eliminate mistakes in the field. Aside from changing the default DMX address (1) via supplied GUI interface, or activating "Termination" on the final unit in a control chain, only certified integrators and qualified personnel should attempt changing other settings. Default programming settings are for reference only.



Components of a complete system include: Aion LED A-Track Light Engine, Aion LED A-Track housing with diffuser lens, & Aion LED driver (power supply). Dimmer not included. Approved dimmers, controls, power supplies, cable, & other components only. Contact Aion LED for questions regarding compatibility. Electrician installed. Strictly adhere to NEC & local building code. Limited 5-year warranty against manufacturing defects only, does not cover labor; voided by: inadequate ventilation, field modifications, installation by unqualified personnel, unapproved controls, drivers, cabling, other devices, not following installation guidelines & protocol, general negligence. Installer assumes all liability with regard to property & safety. This product is UL listed. See separate "Aion LED Warranty Terms" & additional instructional materials for more information. Authorized installers only. Systems tested prior to shipping.



AIONLED.COM | (415) 255-AION

Modified: March 14, 2018

© 2018 Aion LED. All Rights Reserved

Programming Guide

D100-X1

USER MENU

Highlighted Yellow = User Defined

M	DMX Address = 1 Default
M	Network Resolution = 8 bit
M	Term = No terminate final driver in chain
M	Network Set = Manual
M	Interpolation = White

TO LOCK/ UNLOCK MODE MENU

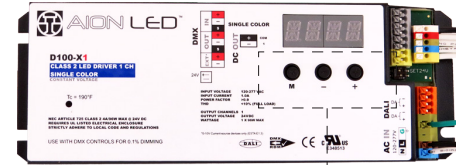
M + +	Hold for 3 seconds, then select (+) or (-) to lock or unlock
---------------------	--

TO ACCESS OUTPUT MENU

M + +	Hold for 0.5 seconds LED = 1 - 4 L
M	External Input = OFF
M	Dim Curve = Log

TO ACCESS MODE MENU

M	Hold for 3 seconds SET MODE = DMX
----------	--------------------------------------



Ensure all wiring is correct and properly terminated

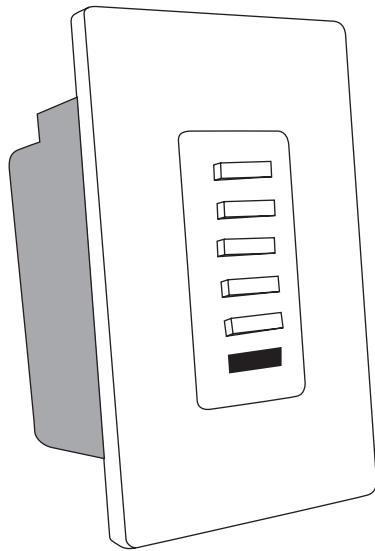
Default DMX address is 1 and can be changed via GUI interface.

Drivers are pre-programmed and tested at Aion LED for specific Aion LED fixtures. Each of the four D100-X series models (X1, X2, X3, X4) ship with a separate and unique Aion LED factory wiring harness for plug and play functionality and to eliminate mistakes in the field.

Aside from changing the default DMX address (1) via supplied GUI interface, or activating "Termination" on the final unit in a control chain, only certified integrators and qualified personnel should attempt changing other settings. Default programming settings are for reference only.

AX5-1

Compact DMX Controller



AX5 ships pre-programmed to factory default settings per application

Standard Decora™ Mounting

Optional programming software, USB interface & remote control available

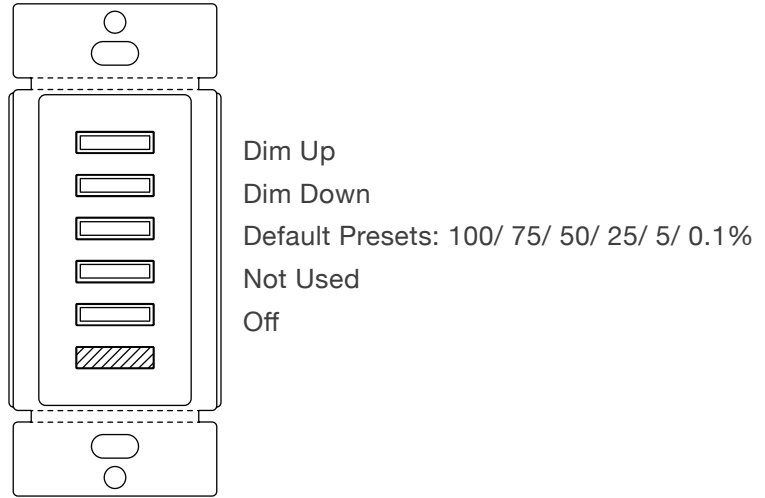
Requires Approved DMX Signal Cable, Including Belden 9841 -Sold Separately

Requires D12-M-24 Power Supply

MODEL	AX5-1
DIMENSIONS (L-W-H)"	1.8 x 1.8 x 4.1"
WEIGHT	2.9 oz
POWER	2- POSITION SPRING CLIP TERMINAL
DMX PORT	3- POSITION REMOVABLE TERMINAL BLOCK
INPUT	24 VDC

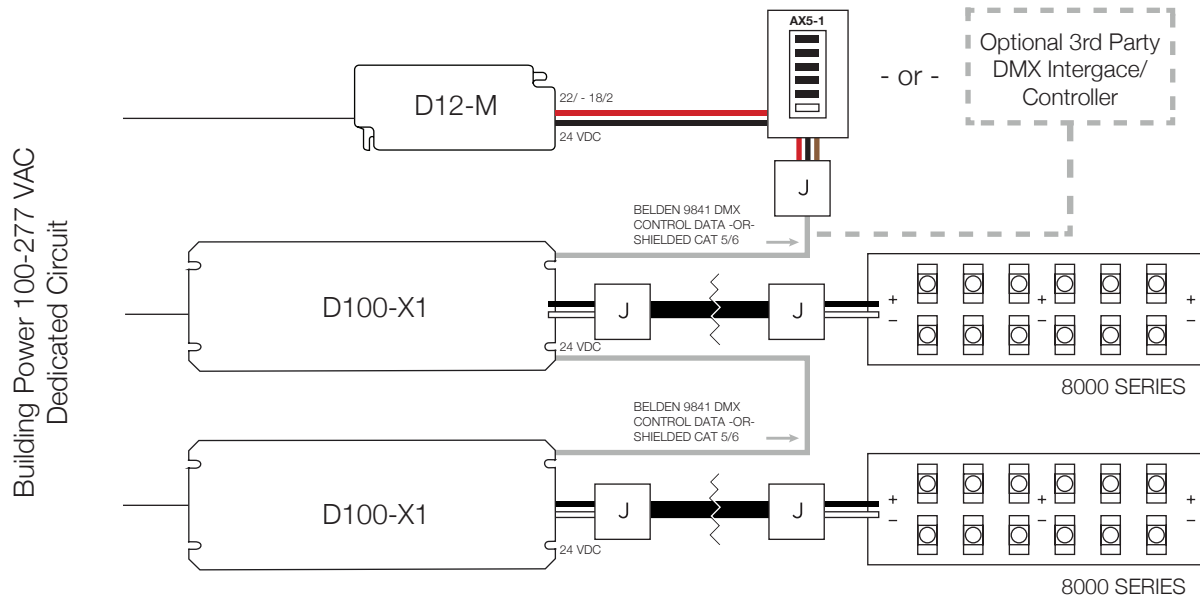
Default Programming

AX5-1



Wiring Diagram

AX5-1



J = Electrical Juntion Box

Components of a complete system include: Aion LED A-Track Light Engine, Aion LED A-Track housing with diffuser lens, & Aion LED driver (power supply). Dimmer not included. Approved dimmers, controls, power supplies, cable, & other components only. Contact Aion LED for questions regarding compatibility. Electrician installed. Strictly adhere to NEC & local building code. Limited 5-year warranty against manufacturing defects only, does not cover labor; voided by: inadequate ventilation, field modifications, installation by unqualified personnel, unapproved controls, drivers, cabling, other devices, not following installation guidelines & protocol, general negligence. Installer assumes all liability with regard to property & safety. This product is UL listed. See separate "Aion LED Warranty Terms" & additional instructional materials for more information. Authorized installers only. Systems tested prior to shipping.

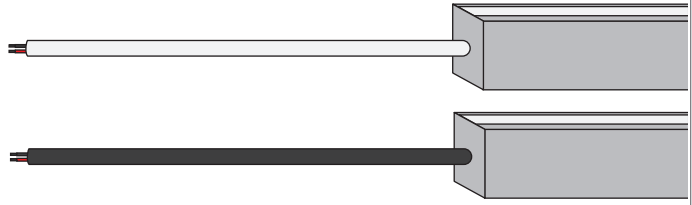
Lead & Plugs

Single Color/ Static White

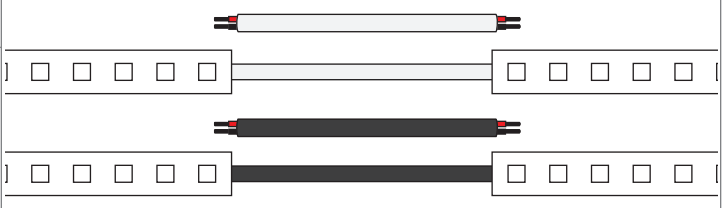
Low-Voltage Class 2/3 Power Cable by Aion LED

UV Rated · Indoor/ Outdoor

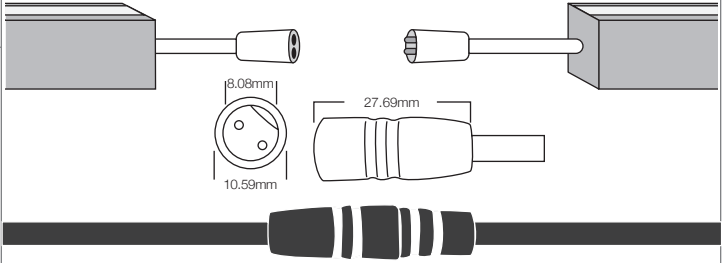
Fixture Power Lead

Fixture Power Lead	White Jacket	Black Jacket	
12" Power Lead	AC-A12	ACB-A12	
24" Power Lead	AC-A24	ACB-A24	
48" Power Lead	AC-A48	ACB-A48	

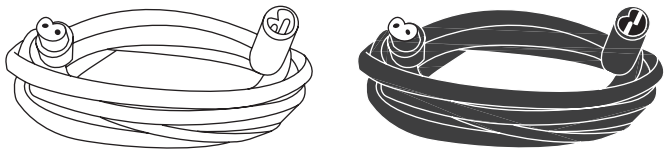
Hard Wire Jumper- Recommended with WR Type & LE Applications Only

Hard Wire Jumper	White Jacket	Black Jacket	
4" Hard Wire Jumper	AC-C4	ACB-C4	
12" Hard Wire Jumper	AC-C12	ACB-C12	
24" Hard Wire Jumper	AC-C24	ACB-C24	

Bi Pin Plugs- Recommended with all AT Series Housings & Fixtures

Bi-Pin Jumper w/ Disconnect	White Jacket	Black Jacket	
4" Jumper with Disconnect	AC-BP4	ACB-BP4	
12" Jumper with Disconnect	AC-BP12	ACB-BP12	
24" Jumper with Disconnect	AC-BP24	ACB-BP24	
48" Jumper with Disconnect	AC-BP48	ACB-BP48	

Patch Cord- Optional, to Extend Length

Patch Cord	White Jacket	Black Jacket	
24" M to F Extension Cord	BP-2FM24	BPB-2FM24	
48" M to F Extension Cord	BP-2FM48	BPB-2FM48	
96" M to F Extension Cord	BP-2FM96	BPB-2FM96	



Black standard for dark bronze housings
White standard for silver housings

Components of a complete system include: Aion LED A-Track Light Engine, Aion LED A-Track housing with diffuser lens, & Aion LED driver (power supply). Dimmer not included. Approved dimmers, controls, power supplies, cable, & other components only. Contact Aion LED for questions regarding compatibility. Electrician installed. Strictly adhere to NEC & local building code. Limited 5-year warranty against manufacturing defects only, does not cover labor; voided by: inadequate ventilation, field modifications, installation by unqualified personnel, unapproved controls, drivers, cabling, other devices, not following installation guidelines & protocol, general negligence. Installer assumes all liability with regard to property & safety. This product is UL listed. See separate "Aion LED Warranty Terms" & additional instructional materials for more information. Authorized installers only. Systems tested prior to shipping.

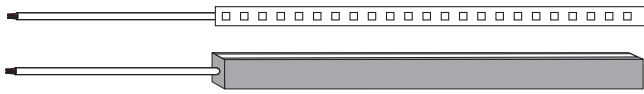
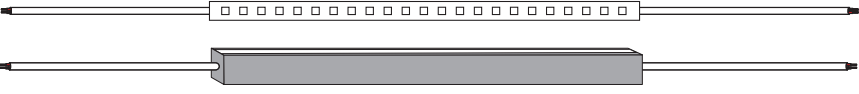
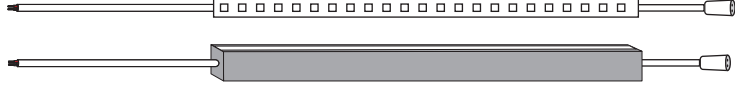
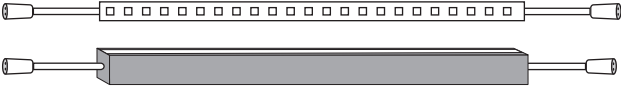
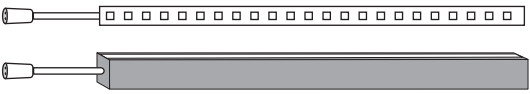





AIONLED.COM | (415) 255-AION

Modified: March 14, 2018

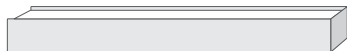
© 2018 Aion LED. All Rights Reserved

Unless Otherwise Noted, Leads are 24" and Plugs are 4". Other Lengths Available

- | | | |
|-------------------------------------|--|--|
| <input checked="" type="checkbox"/> | CONFIGURATION 1
Power Lead to Fixture
<i>Default, Unless Otherwise Noted</i> |  |
| <input type="checkbox"/> | CONFIGURATION 2
Power Lead to Fixture with End Lead |  |
| <input type="checkbox"/> | CONFIGURATION 3
Power Lead to Fixture with End Plug |  |
| <input type="checkbox"/> | CONFIGURATION 4
Power Plug to Fixture with End Plug |  |
| <input type="checkbox"/> | CONFIGURATION 5
Power Plug to Fixture |  |
| <input type="checkbox"/> | CONFIGURATION 6
<i>NOT COMPATIBLE WITH TRACK</i>
Power Lead to Fixture with Jumper
to Next Fixture |  |
| <input type="checkbox"/> | CONFIGURATION 7
<i>NOT COMPATIBLE WITH TRACK</i>
Jumper to Fixture with Jumper to
Next Fixture |  |
| <input type="checkbox"/> | CONFIGURATION 8
<i>NOT COMPATIBLE WITH TRACK</i>
Jumper to Fixture |  |

A-Track Fixtures

Pre-assembled: ≤ 8 ft (96 in)



Assembly Required: > 8 ft (96 in)



Components of a complete system include: Aion LED A-Track Light Engine, Aion LED A-Track housing with diffuser lens, & Aion LED driver (power supply). Dimmer not included. Approved dimmers, controls, power supplies, cable, & other components only. Contact Aion LED for questions regarding compatibility. Electrician installed. Strictly adhere to NEC & local building code. Limited 5-year warranty against manufacturing defects only, does not cover labor; voided by: inadequate ventilation, field modifications, installation by unqualified personnel, unapproved controls, drivers, cabling, other devices, not following installation guidelines & protocol, general negligence. Installer assumes all liability with regard to property & safety. This product is UL listed. See separate "Aion LED Warranty Terms" & additional instructional materials for more information. Authorized installers only. Systems tested prior to shipping.

