

ST SERIES

Linear Pendant System



Custom Lengths

Pre-assembled: ≤ 8 ft (96 in) per section

End to End Connectability

Made in the USA

See separate installation instructions

Patent Pending

SKY TRACK REQUIRES

- Aion LED Light Engine

- Aion LED Driver

Sold Separately, Not Included



Components of a complete system include: Aion LED A-Track Light Engine, Aion LED A-Track housing with diffuser lens, & Aion LED driver (power supply). Dimmer not included. Approved dimmers, controls, power supplies, cable, & other components only. Contact Aion LED for questions regarding compatibility. Electrician installed. Strictly adhere to NEC & local building code. Limited 5-year warranty against manufacturing defects only, does not cover labor; voided by: inadequate ventilation, field modifications, installation by unqualified personnel, unapproved controls, drivers, cabling, other devices, not following installation guidelines & protocol, general negligence. Installer assumes all liability with regard to property & safety. This product is UL listed. See separate "Aion LED Warranty Terms" & additional instructional materials for more information. Authorized installers only. Systems tested prior to shipping.

PRELIMINARY SPECIFICATION, SUBJECT TO CHANGE WITHOUT NOTICE

ST SERIES

SkyTrack fixtures are semi custom and made to order. If an additional option or feature is needed, please contact Aion LED to discuss.

Lens

Frosted
Clear
Prismatic

Finish

White Powder Coat
Black Powder Coat
Custom Color

Length

Standard Length:
8' on Center, Including
Mounting Brackets*

Custom pre-cut lengths
available

Leads

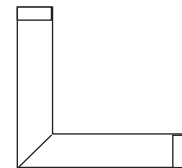
96" Black or White Cable
Custom Lengths Available

Fixture Suspension Kit

Sky Track Suspension 8'
1/32" Diameter Aircraft Cable
Grippers
Optional Canopies

Corner

12" x 12"



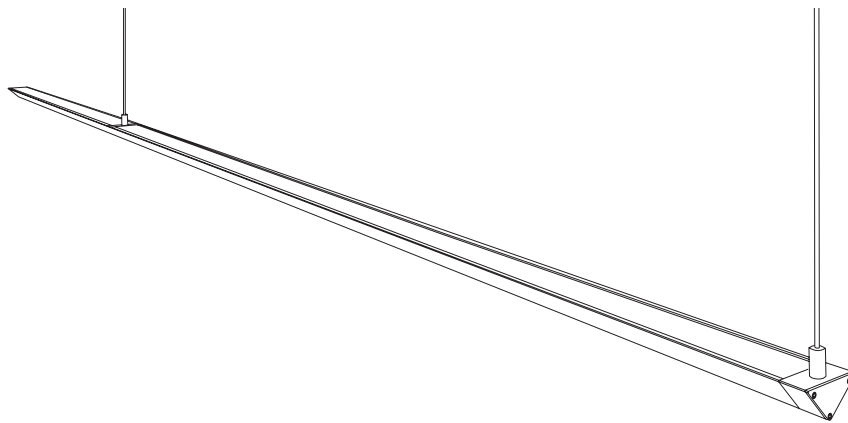
8' on center suspension points. 8' 0.875" overall fixture length including mounting brackets and end caps



PRELIMINARY SPECIFICATION, SUBJECT TO CHANGE WITHOUT NOTICE

ST SERIES

Linear Pendant System



COMPATIBILITY*

ZERO DIM™

9524-FR
1524-LE
8924-LE
4924-LE
3924-LE

DIM TO GLOW™

6524-CT3022-LE
1524-CT3022-LE
8924-CT3022-LE

RGBW+ Color Tuning

8924-RGBW-LE

*See order forms for complete system options

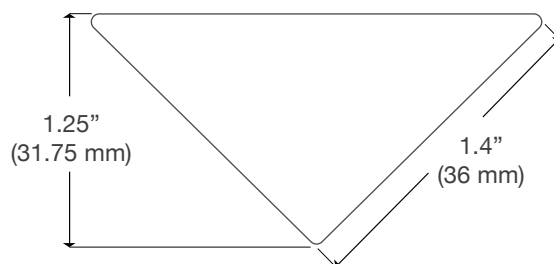
Standard 8' on center

Custom lengths & configurations
require reflected ceiling plan with
suspension points indicated

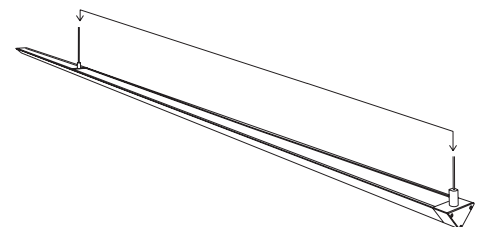
NOT TO SCALE

DIMENSIONS

NOT TO SCALE



8' on Center Suspension
8' 0.875" overall fixture length including
mounting brackets and end caps



Components of a complete system include: Aion LED A-Track Light Engine, Aion LED A-Track housing with diffuser lens, & Aion LED driver (power supply). Dimmer not included. Approved dimmers, controls, power supplies, cable, & other components only. Contact Aion LED for questions regarding compatibility. Electrician installed. Strictly adhere to NEC & local building code. Limited 5-year warranty against manufacturing defects only, does not cover labor; voided by: inadequate ventilation, field modifications, installation by unqualified personnel, unapproved controls, drivers, cabling, other devices, not following installation guidelines & protocol, general negligence. Installer assumes all liability with regard to property & safety. This product is UL listed. See separate "Aion LED Warranty Terms" & additional instructional materials for more information. Authorized installers only. Systems tested prior to shipping.

AION LED OPTICS

UV stabilized and won't yellow in direct sunlight

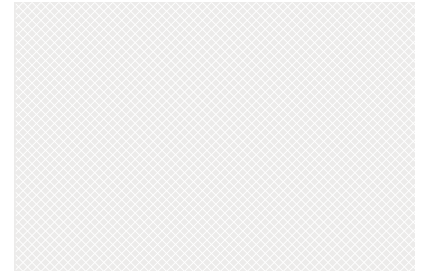
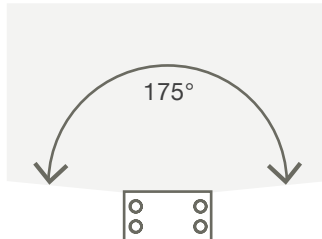
Frosted

Widest Angle

Mid-Transmittance

100% Diffusion

See direct view for
compatible light engines

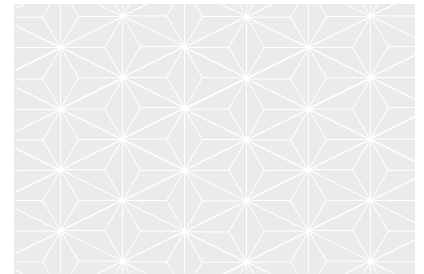
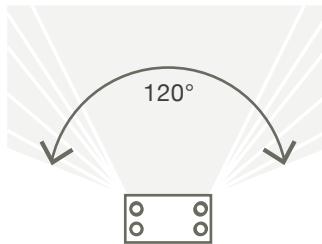


Prismatic

Wider Angle

High Transmittance

Mid Range Diffusion



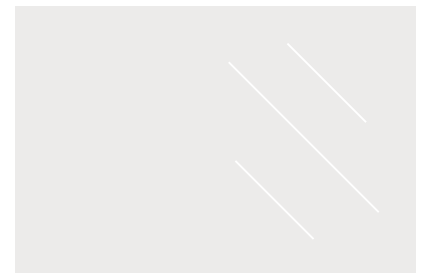
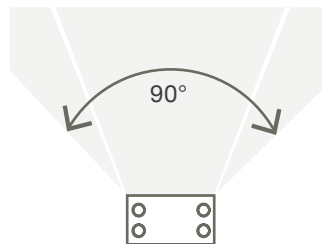
Clear

Wide Angle

Maximum Transmittance

Zero Diffusion

Clear lens is recommended for
indirect applications.



Single Color Light Engines



90+ CRI White
Single Bin

Only Available
with 9524-FR

22	2150K	55	5500K
24	2350K		
26	2550K*		
27	2650K		
30	2950K		
35	3450K		
40	3950K		

Colors

R	Red	A	Amber
B	Blue	G	Green

90+ CRI

UL Class 2

IP20 Dry Location

Custom Cut to Fit

50,000 Hour Min. Lifespan

Requires: Aion LED Driver, Approved Controller, AT, WT or ST Series Housing. Sold Separately, Not Included

*2550 Only Available in 8000, 4000 & 3000 LE Type
80+ CRI Available via special order.

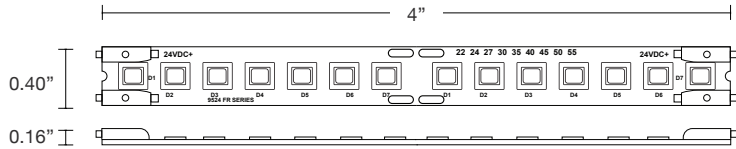
Tested as suitable for use within clothing closet spaces by ETL/ Intertek

Must be installed in accordance with NEC 410.16 for use in clothing closet spaces



Component of a complete system including: Aion LED A-Track Light Engine, Aion LED A-Track housing with diffuser lens, & Aion LED driver (power supply). Dimmer not included. Approved dimmers, controls, power supplies, cable, & other components only. Contact Aion LED for questions regarding compatibility. Electrician installed. Strictly adhere to NEC & local building code. Limited 5-year warranty against manufacturing defects only, does not cover labor; voided by: inadequate ventilation, field modifications, installation by unqualified personnel, unapproved controls, drivers, cabling, other devices, not following installation guidelines & protocol, general negligence. Installer assumes all liability with regard to property & safety. This product is UL listed. See separate "Aion LED Warranty Terms" & additional instructional materials for more information. Authorized installers only. Systems tested prior to shipping.

PRELIMINARY SPECIFICATION, SUBJECT TO CHANGE WITHOUT NOTICE


9524-FR
 $\leq 1,100 \text{ Lm/ft.}^*$

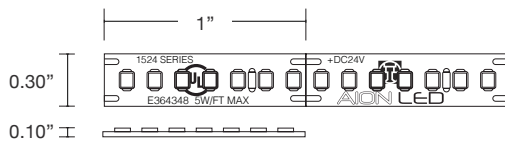
95+ CRI

 10.7W /ft.^*

Min: 4 in.

 Max: 8 ft. /Class 2 4A circuit
(96W)

PRELIMINARY SPECIFICATION, SUBJECT TO CHANGE WITHOUT NOTICE

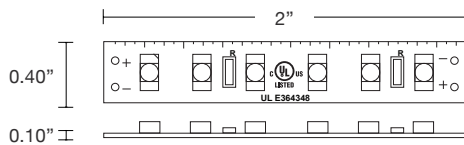

1000 Series
 $\leq 427 \text{ Lm/ft.}$

95+CRI

 5.7W /ft.

Min: 1 in.

Max: 15 ft.

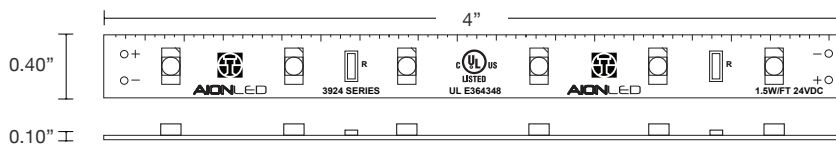

4000 Series
 $\leq 236 \text{ Lm/ft.}$

90+CRI

 2.8W /ft.

Min: 2 in.

Max: 30 ft.


3000 Series
 $\leq 116 \text{ Lm/ft.}$

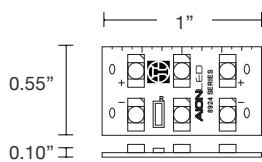
90+CRI

 1.4W /ft.

Min: 4 in.

Max: 32 ft.

Class 2 Circuit Limitation=56'


8000 Series
 $\leq 463 \text{ Lm/ft.}$

90+CRI

 5.6W /ft.

Min: 1 in.

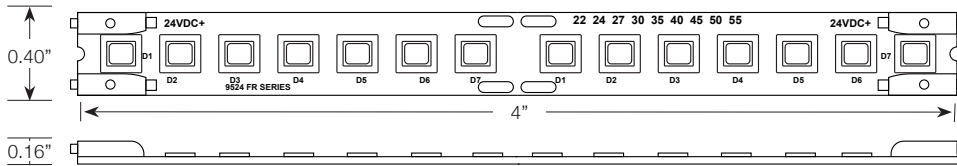
Max: 15 ft.

Components of a complete system include: Aion LED A-Track Light Engine, Aion LED A-Track housing with diffuser lens, & Aion LED driver (power supply). Dimmer not included. Approved dimmers, controls, power supplies, cable, & other components only. Contact Aion LED for questions regarding compatibility. Electrician installed. Strictly adhere to NEC & local building code. Limited 5-year warranty against manufacturing defects only, does not cover labor; voided by: inadequate ventilation, field modifications, installation by unqualified personnel, unapproved controls, drivers, cabling, other devices, not following installation guidelines & protocol, general negligence. Installer assumes all liability with regard to property & safety. This product is UL listed. See separate "Aion LED Warranty Terms" & additional instructional materials for more information. Authorized installers only. Systems tested prior to shipping.

PRELIMINARY SPECIFICATION, SUBJECT TO CHANGE WITHOUT NOTICE

9524-FR

Ultra High Output Luminaire with Rigid Board



10.7 W /ft.*

 $\leq 1,100$ Lumens /ft.*

Rated lifetime:

50,000 hours min.

Available in 12" & 48"

Connectible end to end

Minimum Increment: 4"

Requires Heat Sink

Also available:

9524-FRS Scored Rigid Board

	9524-22-FR	9524-24-FR	9524-27-FR	9524-30-FR	9524-35-FR	9524-40-FR	9524-55-FR
Total Lumens	840.13		1004.98	1047.29	1094.83	1117.04	
Input Power (W)	10.70		10.67	10.75	10.69	10.7	
Efficacy	79		94	97	102	105	
Color Rendering Index (CRI)	95		97	98	97	96	
R9	82.02		92.62	89.68	97.92	94.96	
Input Voltage (VDC)	24	24	24	24	24	24	24
Input Current (AMP)	0.45		0.44	0.45	0.45	0.44	
Correlated Color Temperature	2150K	2350K	2650K	2950K	3450K	3950K	5500K



PRELIMINARY SPECIFICATION, SUBJECT TO CHANGE WITHOUT NOTICE

Component of a complete system including: Aion LED A-Track Light Engine, Aion LED A-Track housing with diffuser lens, & Aion LED driver (power supply). Dimmer not included. Approved dimmers, controls, power supplies, cable, & other components only. Contact Aion LED for questions regarding compatibility. Electrician installed. Strictly adhere to NEC & local building code. Limited 5-year warranty against manufacturing defects only, does not cover labor; voided by: inadequate ventilation, field modifications, installation by unqualified personnel, unapproved controls, drivers, cabling, other devices, not following installation guidelines & protocol, general negligence. Installer assumes all liability with regard to property & safety. This product is UL listed. See separate "Aion LED Warranty Terms" & additional instructional materials for more information. Authorized installers only. Systems tested prior to shipping.


 AIONLED.COM | (415) 255-AION
 Modified: September 11, 2017

© 2017 Aion LED. All Rights Reserved

PRELIMINARY SPECIFICATION, SUBJECT TO CHANGE WITHOUT NOTICE

1524-__-LE

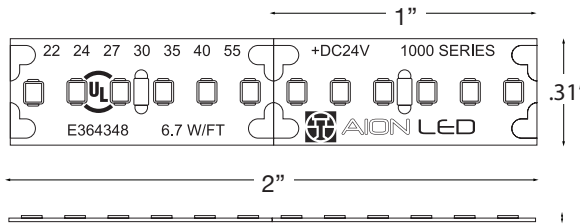
Static White Light Engine

Mid Output

95+ CRI

R9 80+

2 Step MacAdam



5.5 W /ft.

427 Lumens /ft.

1" Cut Increment

UL CLASS 2

IP20 Dry Location

50,000 Hour Minimum Lifespan

	27	30
Correlated Color Temperature (K)	2650	2950
Color Rendering Index (CRI)	98	98
Lumens /Ft.	398	427.82
Input Power (W)	5.76	5.71
Efficacy	69.19	74.97
R9	89.07	91.10
Input Voltage (VDC)	24.00	24.00


 REQUIRES AION LED HOUSING, AION LED DRIVER & APPROVED CONTROLLER
 Sold Separately, Not Included

PRELIMINARY SPECIFICATION, SUBJECT TO CHANGE WITHOUT NOTICE

Component of a complete system including: Aion LED A-Track Light Engine, Aion LED A-Track housing with diffuser lens, & Aion LED driver (power supply). Dimmer not included. Approved dimmers, controls, power supplies, cable, & other components only. Contact Aion LED for questions regarding compatibility. Electrician installed. Strictly adhere to NEC & local building code. Limited 5-year warranty against manufacturing defects only; does not cover labor; voided by: inadequate ventilation, field modifications, installation by unqualified personnel, unapproved controls, drivers, cabling, other devices, not following installation guidelines & protocol, general negligence. Installer assumes all liability with regard to property & safety. This product is UL listed. See separate "Aion LED Warranty Terms" & additional instructional materials for more information. Authorized installers only. Systems tested prior to shipping.



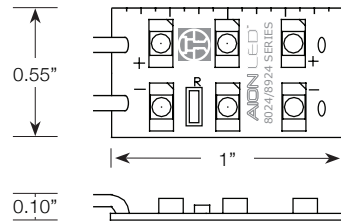
AIONLED.COM | (415) 255-AION

Modified: February 22, 2018

© 2017 Aion LED. All Rights Reserved

8924-LE

High Output



90+CRI
5.6W /ft.
≤ 463 Lm/ft.

RANGE BY CCT (X-Y)

Max. Increment:
15 ft.

Min. Increment:
1 in.

	8924-22-LE	8924-24-LE	8924-26-LE	8924-27-LE	8924-30-LE	8924-35-LE	8924-40-LE
Total Lumens	334.07	388.94	374.73	391.09	415.76	438.80	446
Input Power (W)	5.48	5.65	5.47	5.27	5.29	5.36	5.56
Efficacy	61	69	68	74	79	82	80
Color Rendering Index (CRI)	94	91	97	93	93	92	
R9	69.54	52.05	82.26	66.59	69	70	
Input Voltage (VDC)	24	24	24	24	24	24	24
Input Current (AMP)	0.23	0.24	0.23	0.22	0.22	0.22	0.23
Correlated Color Temperature	2150K	2400K	2550K	2700K	2950K	3450K	3950K



Components of a complete system include: Aion LED A-Track Light Engine, Aion LED A-Track housing with diffuser lens, & Aion LED driver (power supply). Dimmer not included. Approved dimmers, controls, power supplies, cable, & other components only. Contact Aion LED for questions regarding compatibility. Electrician installed. Strictly adhere to NEC & local building code. Limited 5-year warranty against manufacturing defects only, does not cover labor; voided by: inadequate ventilation, field modifications, installation by unqualified personnel, unapproved controls, drivers, cabling, other devices, not following installation guidelines & protocol, general negligence. Installer assumes all liability with regard to property & safety. This product is UL listed. See separate "Aion LED Warranty Terms" & additional instructional materials for more information. Authorized installers only. Systems tested prior to shipping.



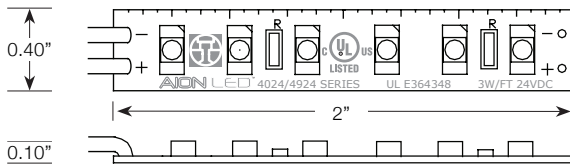
AIONLED.COM | (415) 255-AION

Modified: January 17, 2018

© 2017 Aion LED. All Rights Reserved

4924-LE

Mid Output



90+CRI

2.8W /ft.
 ≤ 236 Lm/ft.

RANGE BY CCT (X-Y)

Max. Increment:
 30 ft.

Min. Increment:
 2 in.

	4924-22-LE	4924-24-LE	4924-26-LE	4924-27-LE	4924-30-LE	4924-35-LE	4924-40-LE
TOTAL LUMENS	126.64	193.43	190.98	165.23	206.60	222.05	225.43
INPUT POWER (W)	2.26	2.82	2.83	2.19	2.61	2.65	2.81
EFFICACY	56.80	69	68	76	79	84	80
COLOR RENDERING INDEX (CRI)	94	91	97	92	92	92	
R9	71.30	52.71	83.61	66.04	68.06	69.25	
INPUT VOLTAGE (VDC)	24	24	24	24	24	24	24
INPUT CURRENT (AMP)	0.09	0.12	0.12	0.09	0.11	0.11	0.12
CORRELATED COLOR TEMPERATURE	2150K	2400K	2550K	2700K	2950K	3450K	3950K



Components of a complete system include: Aion LED A-Track Light Engine, Aion LED A-Track housing with diffuser lens, & Aion LED driver (power supply). Dimmer not included. Approved dimmers, controls, power supplies, cable, & other components only. Contact Aion LED for questions regarding compatibility. Electrician installed. Strictly adhere to NEC & local building code. Limited 5-year warranty against manufacturing defects only, does not cover labor; voided by: inadequate ventilation, field modifications, installation by unqualified personnel, unapproved controls, drivers, cabling, other devices, not following installation guidelines & protocol, general negligence. Installer assumes all liability with regard to property & safety. This product is UL listed. See separate "Aion LED Warranty Terms" & additional instructional materials for more information. Authorized installers only. Systems tested prior to shipping.



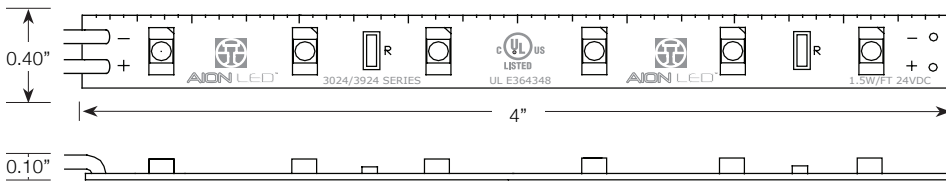
AIONLED.COM | (415) 255-AION

Modified: January 17, 2018

© 2017 Aion LED. All Rights Reserved

3924-LE

Standard Output



90+CRI

1.4W /ft.
 ≤ 116 Lm/ft.

RANGE BY CCT (X-Y)

Class 2 Circuit Limitation:
 56'

Max. Increment:
 32 ft.

Min. Increment:
 4 in.

	3924-22-LE	3924-24-LE	3924-26-LE	3924-27-LE	3924-30-LE	3924-35-LE	3924-40-LE
TOTAL LUMENS	80.84	100.17	93.77	99.38	107.50	111.24	118
INPUT POWER (W)	1.40	1.44	1.37	1.33	1.35	1.32	1.43
EFFICACY	57.71	70	69	75	80	84	82
COLOR RENDERING INDEX (CRI)	94	91	96	92	92	91	
R9	71.10	53.18	83.25	66.10	69.20	67.88	
INPUT VOLTAGE (VDC)	24	24	24	24	24	24	24
INPUT CURRENT (AMP)	0.06	0.06	0.06	0.06	0.06	0.05	0.06
CORRELATED COLOR TEMPERATURE	2150K	2400K	2550K	2700K	2950K	3450K	3950K



Components of a complete system include: Aion LED A-Track Light Engine, Aion LED A-Track housing with diffuser lens, & Aion LED driver (power supply). Dimmer not included. Approved dimmers, controls, power supplies, cable, & other components only. Contact Aion LED for questions regarding compatibility. Electrician installed. Strictly adhere to NEC & local building code. Limited 5-year warranty against manufacturing defects only, does not cover labor; voided by: inadequate ventilation, field modifications, installation by unqualified personnel, unapproved controls, drivers, cabling, other devices, not following installation guidelines & protocol, general negligence. Installer assumes all liability with regard to property & safety. This product is UL listed. See separate "Aion LED Warranty Terms" & additional instructional materials for more information. Authorized installers only. Systems tested prior to shipping.



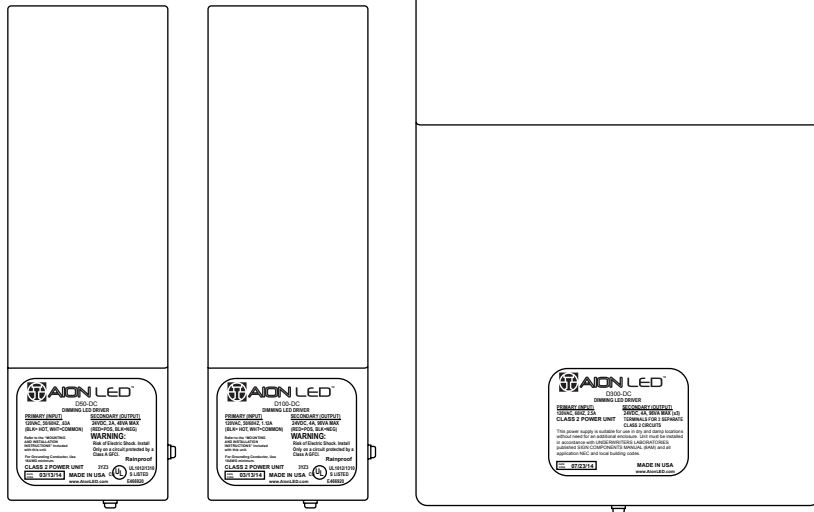
AIONLED.COM | (415) 255-AION

Modified: January 17, 2018

© 2017 Aion LED. All Rights Reserved

DC Blue Series

MLV



Premium Class 2 Dimming LED Driver

Magnetic Low Voltage Transformer

Pure DC MOSFET Supply

Fully Regulated

0.1% DIMMING*
MADE IN USA

Multiple Inputs Available:
120, 240, 277 VAC

UL LISTED 8750,
CSA Approved

NEMA 3R Outdoor Case

Manual reset overload protection

5 Year Warranty

Electrician Installed - Strictly adhere to NEC & local code. Requires minimum 4" space in all directions. Requires adequate ventilation. Use dedicated circuit Isolated from other appliances. Load 40 - 90%

Requires Aion LED brand lighting fixture and approved dimmer or switch. Sold separately, not included

DO NOT USE PHASE ADAPTIVE CONTROLS FORWARD PHASE MLV CONTROLS ONLY

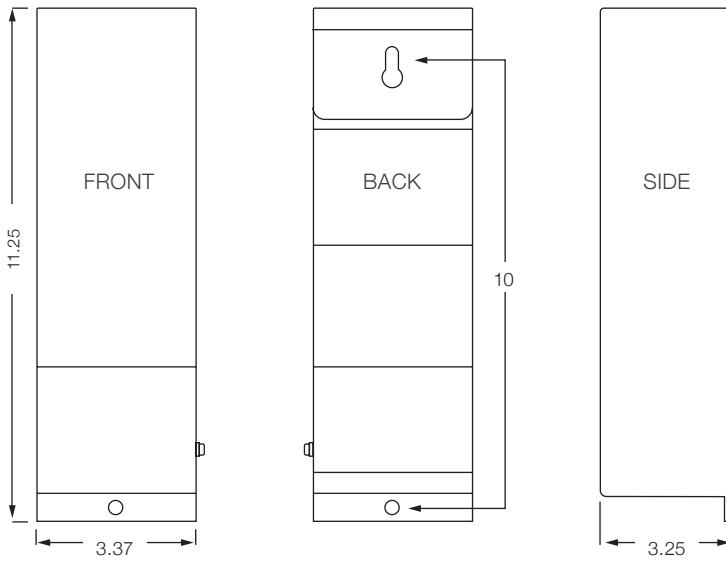
*SEE APPROVED CONTROLS LIST



Component of a complete system including: Aion LED A-Track Light Engine, Aion LED A-Track housing with diffuser lens, & Aion LED driver (power supply). Dimmer not included. Approved dimmers, controls, power supplies, cable, & other components only. Contact Aion LED for questions regarding compatibility. Electrician installed. Strictly adhere to NEC & local building code. Limited 5-year warranty against manufacturing defects only; does not cover labor; voided by: inadequate ventilation, field modifications, installation by unqualified personnel, unapproved controls, drivers, cabling, other devices, not following installation guidelines & protocol, general negligence. Installer assumes all liability with regard to property & safety. This product is UL listed. See separate "Aion LED Warranty Terms" & additional instructional materials for more information. Authorized installers only. Systems tested prior to shipping.

D50-DC

50 WATT MLV DRIVER



Premium Class 2 Dimming
LED Driver

Magnetic Low Voltage Transformer

Pure DC MOSFET Supply

Fully Regulated

0.1% DIMMING*

MADE IN USA

UL LISTED 8750,
CSA Approved

NEMA 3R Outdoor Case

Manual reset overload protection

Model	D50-DC	Watts	48
Standard Input Voltage	120 VAC	Dimensions "	11.25 X 3.37 X 3.25
Output Voltage Loaded	24 VDC	Input Current	.63A
Output Current	2A, 48W	Input Frequency (Hz)	50-60
Current Limit	2.5/4.5 +/- 0.25	Efficiency	80%
Load Regulation	2%	MTBF	100,000
Line Regulation	5%	Operating Environment	-30 to +60
Function Surface Temp	-40 to +80		

Max Lengths

3000 Series	30 ft.
4000 Series	15 ft.

Max Wire Distance

18 AWG	55 ft.
16 AWG	88 ft.
14 AWG	140 ft.
12 AWG	224 ft.
10 AWG	360 ft.
8 AWG	574 ft.

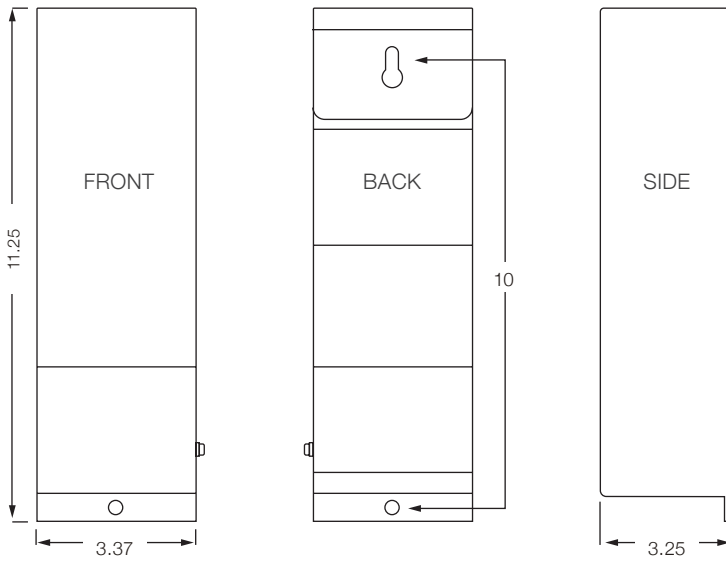


DO NOT USE PHASE-ADAPTIVE CONTROLS
FORWARD PHASE MLV CONTROLS ONLY
*SEE APPROVED CONTROLS LIST

Components of a complete system include: Aion LED A-Track Light Engine, Aion LED A-Track housing with diffuser lens, & Aion LED driver (power supply). Dimmer not included. Approved dimmers, controls, power supplies, cable, & other components only. Contact Aion LED for questions regarding compatibility. Electrician installed. Strictly adhere to NEC & local building code. Limited 5-year warranty against manufacturing defects only, does not cover labor; voided by: inadequate ventilation, field modifications, installation by unqualified personnel, unapproved controls, drivers, cabling, other devices, not following installation guidelines & protocol, general negligence. Installer assumes all liability with regard to property & safety. This product is UL listed. See separate "Aion LED Warranty Terms" & additional instructional materials for more information. Authorized installers only. Systems tested prior to shipping.

D100-DC

100 WATT MLV DRIVER



Premium Class 2 Dimming
LED Driver

Magnetic Low Voltage Transformer

Pure DC MOSFET Supply

Fully Regulated

0.1% DIMMING*
MADE IN USA

UL LISTED 8750,
CSA Approved

NEMA 3R Outdoor Case

Manual reset overload protection

Model	D100-DC	Watts	96
Standard Input Voltage	120 VAC	Dimensions "	11.25 X 3.37 X 3.25
Output Voltage Loaded	24 VDC	Input Current	1.12A
Output Current	4A, 96W	Input Frequency (Hz)	50-60
Current Limit	2.5/4.5 +/- 0.25	Efficiency	80%
Load Regulation	2%	MTBF	100,000
Line Regulation	5%	Operating Environment	-30 to +60
Function Surface Temp	-40 to +80		

Max Lengths

3000 Series	60 ft. (2 x 30)
4000 Series	30 ft.
8000 Series	15 ft.

Max Wire Distance

18 AWG	27 ft.
16 AWG	44 ft.
14 AWG	70 ft.
12 AWG	112 ft.
10 AWG	180 ft.
8 AWG	286 ft.

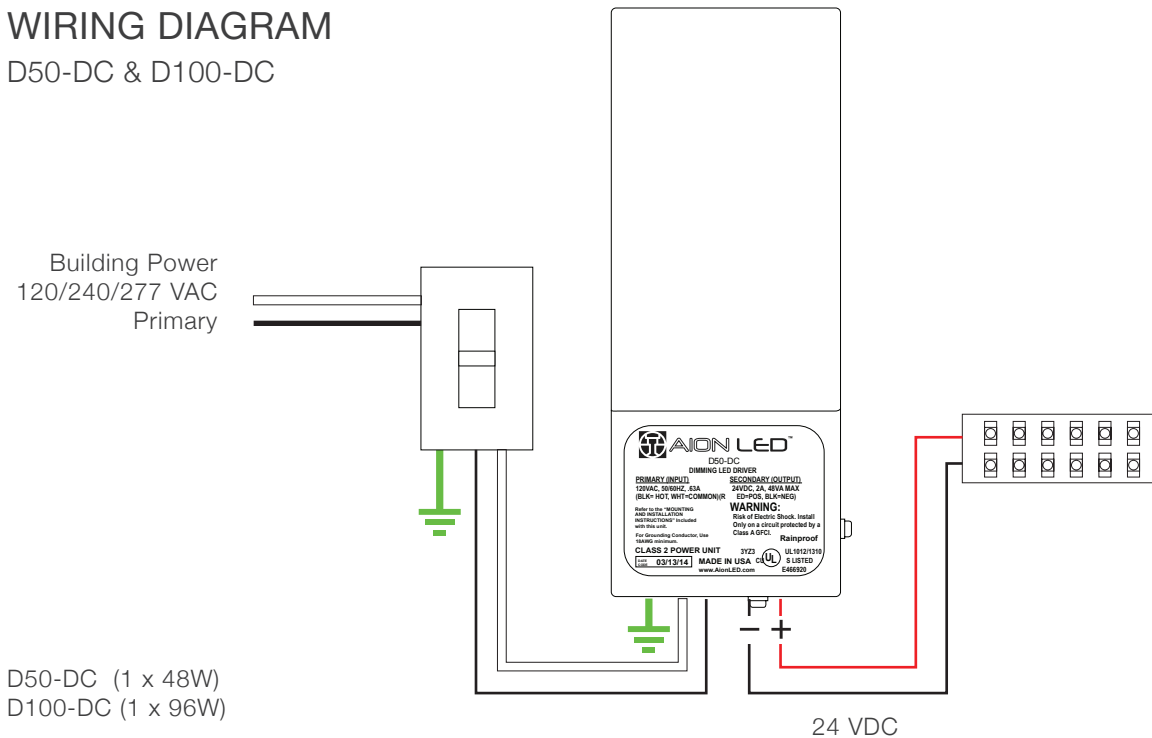


DO NOT USE PHASE-ADAPTIVE CONTROLS
FORWARD PHASE MLV CONTROLS ONLY
*SEE APPROVED CONTROLS LIST

Components of a complete system include: Aion LED A-Track Light Engine, Aion LED A-Track housing with diffuser lens, & Aion LED driver (power supply). Dimmer not included. Approved dimmers, controls, power supplies, cable, & other components only. Contact Aion LED for questions regarding compatibility. Electrician installed. Strictly adhere to NEC & local building code. Limited 5-year warranty against manufacturing defects only, does not cover labor; voided by: inadequate ventilation, field modifications, installation by unqualified personnel, unapproved controls, drivers, cabling, other devices, not following installation guidelines & protocol, general negligence. Installer assumes all liability with regard to property & safety. This product is UL listed. See separate "Aion LED Warranty Terms" & additional instructional materials for more information. Authorized installers only. Systems tested prior to shipping.

WIRING DIAGRAM

D50-DC & D100-DC



Installation Instructions

1. This unit must be located 1 foot or greater above the deck or ground level. 4" space required between units.
 2. Mount this unit on a suitable vertical surface with conduit openings down.
 3. Using a ruler, measure the vertical mounting point distance for the brackets provided on the back of the enclosure.
 4. Mark the mounting surface and drill a minimum of 2 holes to match the bracket hole centers. Size the drill to accommodate #10 mounting hardware.
 5. If keyhole mounting brackets are provided, insert the hardware at the mounting point to allow for 3/16" spacing between the screw head and the mounting surface to accommodate the bracket thickness.
 6. Refer to the product labeling for detailed line and load wiring procedure.
- Input connection: use No. 12-18 AWG wires insulated for a minimum of 90C, rated for 600V. Output connection: use No. 12-18 AWG class 2/3 low voltage wires
 - Use wire connectors suitable for the number and size conductors being connected and applied in accordance with the manufacturer's instructions.
 - Minimum 20 amp supply side branch circuit.
 - A disconnect device shall be located in the field wiring.

Aion LED DC Blue Series drivers have been factory tested for use with specific 120 VAC dimmers designed for magnetic (MLV) for forward-phase loads.

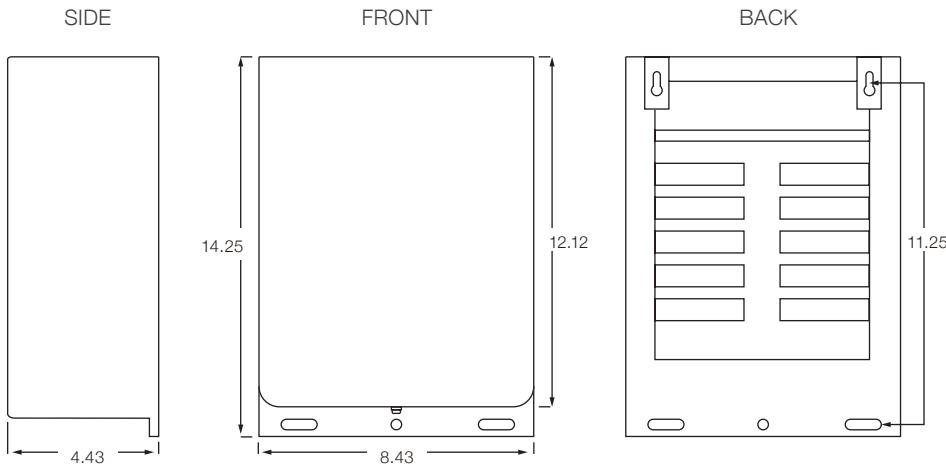
PLEASE SEE APPROVED DIMMERS PAGE FOR COMPATIBLE CONTROLS. DO NOT ATTEMPT CONNECTING UNAPPROVED DIMMERS OR CONTROLS. DAMAGE TO THE DIMMER, FIXTURE AND/OR THE POWER UNIT WILL RESULT; THE POWER UNIT WARRANTY WILL BE VOIDED.

Please load 40–90% MAX. Please see specifications page for fixture-specific max load/ run length information.



D300-DC3

3 x 96W WATT MLV DRIVER



Premium Class 2 Dimming
LED Driver

Magnetic Low Voltage Transformer

Pure DC MOSFET Supply

Fully Regulated

0.1% DIMMING*

MADE IN USA

UL LISTED 8750,
CSA Approved

NEMA 3R Outdoor Case

Manual reset overload protection

Model	D300-DC3	Watts	3x 96W
Standard Input Voltage	120 VAC	Dimensions "	14.25 x 8.43 x 4.43
Output Voltage Loaded	24 VDC	Input Current	2.5A
Output Current	3 x 96W Class 2 Circuits	Input Frequency (Hz)	50-60
Current Limit	2.5/4.5 +/- 0.25	Efficiency	80%
Load Regulation	2%	MTBF	100,000
Line Regulation	5%	Operating Environment	-30 to +60
Function Surface Temp	-40 to +80		

Max Lengths

3000 Series	180 ft. (6 x 30)
4000 Series	90 ft. (3 x 30)
8000 Series	45 ft. (3 x 15)

Max Wire Distance

18 AWG	27 ft.
16 AWG	44 ft.
14 AWG	70 ft.
12 AWG	112 ft.
10 AWG	180 ft.
8 AWG	286 ft.



DO NOT USE PHASE-ADAPTIVE CONTROLS
FORWARD PHASE MLV CONTROLS ONLY
*SEE APPROVED CONTROLS LIST

Components of a complete system include: Aion LED A-Track Light Engine, Aion LED A-Track housing with diffuser lens, & Aion LED driver (power supply). Dimmer not included. Approved dimmers, controls, power supplies, cable, & other components only. Contact Aion LED for questions regarding compatibility. Electrician installed. Strictly adhere to NEC & local building code. Limited 5-year warranty against manufacturing defects only, does not cover labor; voided by: inadequate ventilation, field modifications, installation by unqualified personnel, unapproved controls, drivers, cabling, other devices, not following installation guidelines & protocol, general negligence. Installer assumes all liability with regard to property & safety. This product is UL listed. See separate "Aion LED Warranty Terms" & additional instructional materials for more information. Authorized installers only. Systems tested prior to shipping.



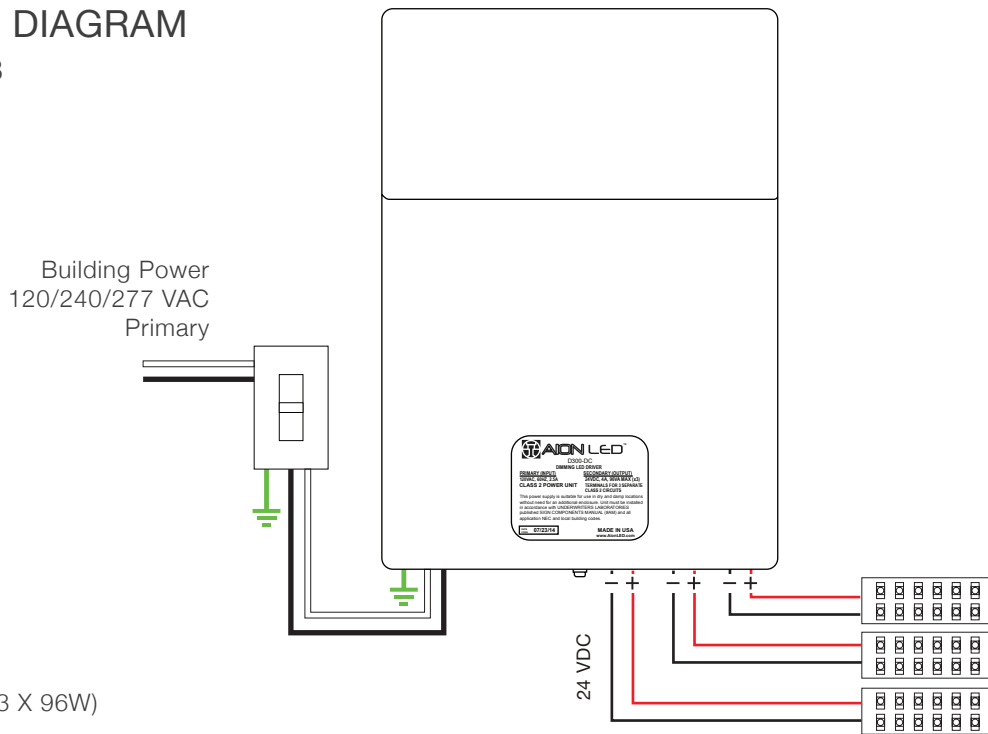
AIONLED.COM | (415) 255-AION

Modified: January 17, 2018

© 2017 Aion LED. All Rights Reserved

WIRING DIAGRAM

D300-DC3



D300-DC3 (3 X 96W)

Installation Instructions

1. This unit must be located 1 foot or greater above the deck or ground level. 4" space required between units.
 2. Mount this unit on a suitable vertical surface with conduit openings down.
 3. Using a ruler, measure the vertical mounting point distance for the brackets provided on the back of the enclosure.
 4. Mark the mounting surface and drill a minimum of 2 holes to match the bracket hole centers. Size the drill to accommodate #10 mounting hardware.
 5. If keyhole mounting brackets are provided, insert the hardware at the mounting point to allow for 3/16" spacing between the screw head and the mounting surface to accommodate the bracket thickness.
 6. Refer to the product labeling for detailed line and load wiring procedure.
- Input connection: use No. 12-18 AWG wires insulated for a minimum of 90C, rated for 600V. Output connection: use No. 12-18 AWG class 2/3 low voltage wires
 - Use wire connectors suitable for the number and size conductors being connected and applied in accordance with the manufacturer's instructions.
 - Minimum 20 amp supply side branch circuit.
 - A disconnect device shall be located in the field wiring.

Aion LED DC Blue Series drivers have been factory tested for use with specific 120 VAC dimmers designed for magnetic (MLV) for forward-phase loads.

PLEASE SEE APPROVED DIMMERS PAGE FOR COMPATIBLE CONTROLS. DO NOT ATTEMPT CONNECTING UNAPPROVED DIMMERS OR CONTROLS. DAMAGE TO THE DIMMER, FIXTURE AND/OR THE POWER UNIT WILL RESULT; THE POWER UNIT WARRANTY WILL BE VOIDED.

Please load 40–90% MAX. Please see specifications page for fixture-specific max load/ run length information.



Lutron	MAESTRO: MRF2-6ND	0.1-1%*	(DO NOT RECOMMEND MALV-600)
	NOVA: NTLV-600	0.1-1%*	HE TRIM
	HOMWORKS QS: RPM-4U HQRD-10ND HQRD-6ND HQRD-6CL (H2) HQRA-6CL (H2)	0.1-1%*	(DO NOT RECOMMEND RPM-4A) DO NOT SHARE WITH OTHER LOADS HE TRIM (DO NOT RECOMMEND 6NA)
	HOMWORKS: HxD-6ND HW/LP RPM -4U-120 [†]	0.1-1%*	HE TRIM [†] (DO NOT RECOMMEND RPM-4A) DO NOT SHARE WITH OTHER LOADS
	RADIO RA2: RRD-10ND RRD-6CL(R3)	0.1-1%*	(DO NOT RECOMMEND 6NA) HE TRIM
	GRAFIK EYE QS: QSGRJ-3P QSGRJ-4P QSGRJ-6P	0.1-1%*	HE TRIM
	GRAFIK EYE 3000: HWI-WPM-6D-120	0.1-1%*	HE TRIM
	STANZA: SZ-6ND	0.1-1%*	HE TRIM
	PHPM-PA FORWARD-PHASE ONLY PHPM-PA-120-FP-WH-CPN6366 PHPM-PA-DV-FP-WH-CPN6366	0.1-1%*	HE TRIM USE WITH UP & RP
	PHPM-WBX	0.1-1%*	HE TRIM
	PANEL MODULE: GP (Harrier) Card	0.1-1%*	HE TRIM
	CASETA WIRELESS: PD-6WCL (SD11)	0.1-1%*	HE TRIM
	ETC	D20AF	0.1%
Forbes & Lomax	ROTARY DIMMER : FLRLV603-P	0.1%	
Vantage	STANDARD DIMMER MODULE SDM12-EM	0.1%	HE TRIM
	WIRELINK SCENEPOINT DIMMER: DS15TE-AWYA	0.1%	HE TRIM
	RADIOLINK SCENEPOINT DIMMER: RD15TE-AWYA	0.1%	HE TRIM
Crestron	GLX-DIM6	0.1%	HE TRIM
Le Grand	ADORN: ADTP703TU(W4)	0.1%	HE TRIM
	ADORN WIRELESS: ADTG700MMTU(W2)	0.1%	HE TRIM

Testing completed by Aion LED and various controls manufacturers to ensure compatibility.

MLV FORWARD PHASE ONLY.
DO NOT USE ADAPTIVE PHASE CONTROLS

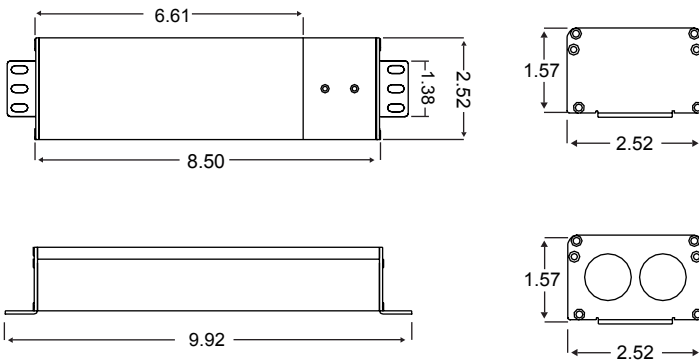
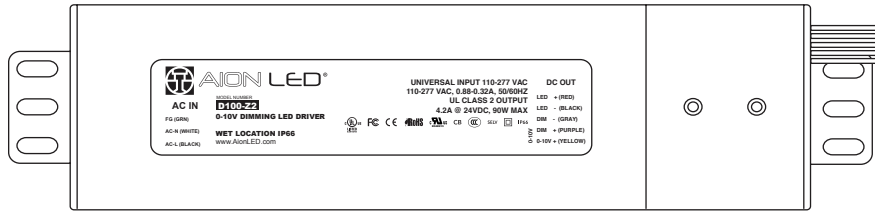
Low-end dimming minimum threshold varies by control and can be set when programming trim levels.

Use high-end trim (HE Trim) to eliminate dead travel, set low trim to lowest level dimmer will allow.

*Lowest dim levels achieved with little or no LE Trim. Dimmer manufacturers may recommend setting LE Trim higher to increase start time when necessary.

Z2 BLUE

LED Driver



0-10V Dimming LED Driver
Sinking and Sourcing

Universal AC Input:
110VAC- 277VAC
50-60 Hz

NEMA 410 Compliant

IP66 Wet Location Rated

Rated Lifetime: 65,000 Hours
5 Year Warranty

Primary and Secondary Wiring
Compartments

UL Listed

International Approval

Model	D100-Z2		
Dimensions (L x W x H)	9.9" x 2.5" x 1.5" (252mm x 64mm x 40mm)	Voltage Input	110-277V AC
Net. Weight	2.25 lbs (1.02 kg)	Input Frequency (Hz)	50 ~ 60 Hz
Output Voltage	24 VDC	Power Factor	>0.92
Output Current	4.2 A Max.	Efficiency	86%
Power	100W	AC Current	0.88A ~ 0.32A
Load Range	60% ~ 100%	Inrush Current	10A@110V AC 23A@277V AC
Line Regulation	±3%	Storage Temperature	-40 ~ +85°C,
Load Regulation	±5%	Working Temperature	-40 ~ +50°C

Wires Standard 	EU 250V Special Order 	UK 250V Special Order 	US 120V Special Order 	Canada 250V Special Order 	Japan 100V Special Order
--------------------	---------------------------	---------------------------	---------------------------	-------------------------------	------------------------------

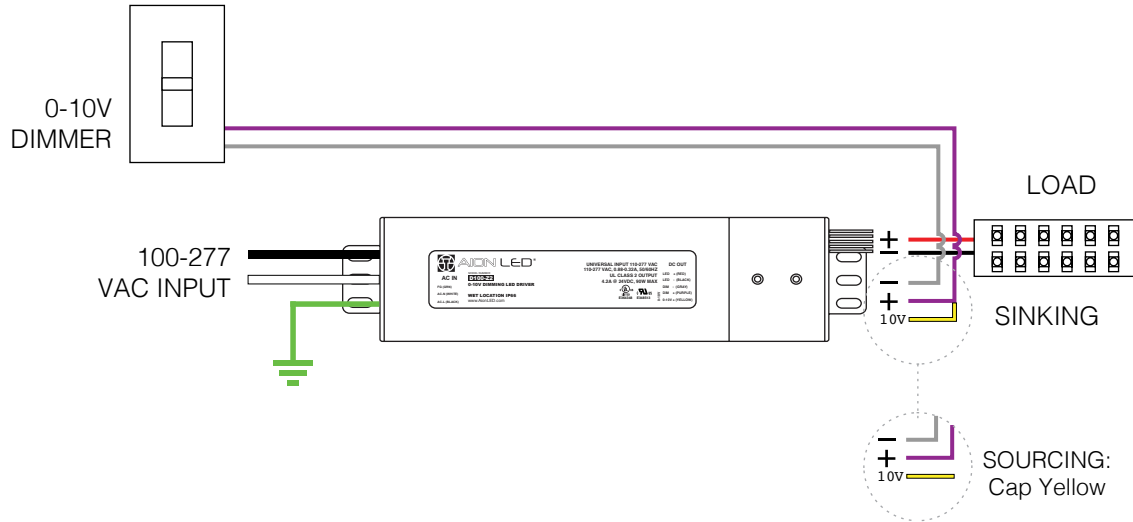


Dims to 5%-10%
(Varies by dimmer model)

Components of a complete system include: Aion LED A-Track Light Engine, Aion LED A-Track housing with diffuser lens, & Aion LED driver (power supply). Dimmer not included. Approved dimmers, controls, power supplies, cable, & other components only. Contact Aion LED for questions regarding compatibility. Electrician installed. Strictly adhere to NEC & local building code. Limited 5-year warranty against manufacturing defects only, does not cover labor; voided by: inadequate ventilation, field modifications, installation by unqualified personnel, unapproved controls, drivers, cabling, other devices, not following installation guidelines & protocol, general negligence. Installer assumes all liability with regard to property & safety. This product is UL listed. See separate "Aion LED Warranty Terms" & additional instructional materials for more information. Authorized installers only. Systems tested prior to shipping.

D100-Z2

Wiring & Installation



Wiring

1. Install per NEC and Local code by qualified personnel
 2. Shut off power at the breaker
 3. AC Input (Primary) Requires 100-277 VAC Power and ground
 4. Connect AC within wiring compartment
 5. This unit requires 4" space in all directions
 6. Refer to the product labeling for detailed line and load wiring procedure
- Purple/ Gray/ Yellow connect to 0-10V Dimmer
Maximum Current Output: 6mA
 - Red/ Black connect to class 2 fixture
 - Load 90% MAX (Reference Max. Lengths Chart)

Approved Dimmers

- Lutron DVSTV
- Lutron NTSTV
- Forbes & Lomax RPS
- All other 0-10V Sinking and Sourcing Dimmers

Max Lengths

9524-FR	8 ft. (2.4m)
1524-LE	15 ft. (4.5m)
8924-LE	15 ft. (4.5m)
4924-LE	30 ft. (9.1m)
3924-LE	2x30 ft. (18.2m)

Voltage Drop

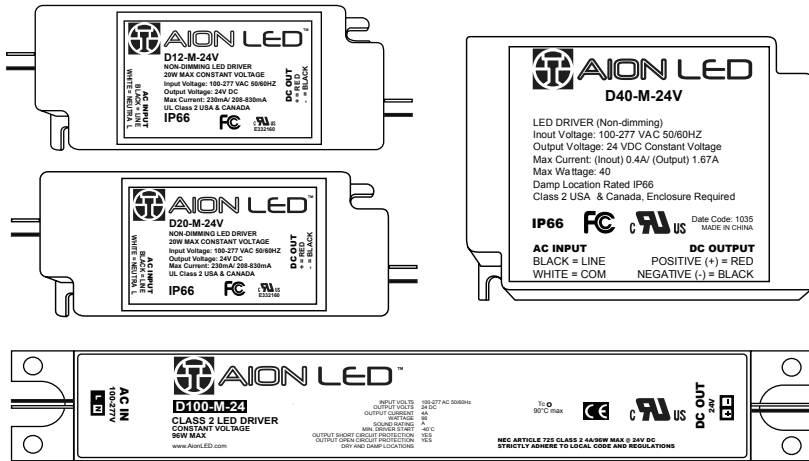
18 AWG	27 ft.
16 AWG	44 ft.
14 AWG	70 ft.
12 AWG	112 ft.
10 AWG	180 ft.
8 AWG	286 ft.



Components of a complete system include: Aion LED A-Track Light Engine, Aion LED A-Track housing with diffuser lens, & Aion LED driver (power supply). Dimmer not included. Approved dimmers, controls, power supplies, cable, & other components only. Contact Aion LED for questions regarding compatibility. Electrician installed. Strictly adhere to NEC & local building code. Limited 5-year warranty against manufacturing defects only, does not cover labor; voided by: inadequate ventilation, field modifications, installation by unqualified personnel, unapproved controls, drivers, cabling, other devices, not following installation guidelines & protocol, general negligence. Installer assumes all liability with regard to property & safety. This product is UL listed. See separate "Aion LED Warranty Terms" & additional instructional materials for more information. Authorized installers only. Systems tested prior to shipping.

M SERIES

NON DIMMING



Non-Dimming LED Driver

Universal 100-277VAC
Input on all

96W max per
NEC Article 725

Requires adequate ventilation per
NEC Article 450

AC input termination requires electrical
junction box

Electrician Installed

MODEL	D12-M	D20-M	D40-M	D100-M
DIMENSIONS (L-W-H)''	3.74 x 1.61 x 0.98	3.74 x 1.61 x 0.98	3.75 x 2.75 x 1.25	10.3 X 1.5 X 2''
WATTAGE	12	20	40	96
CASE	IP66	IP66	IP66	IP66
INPUT VOLTAGE	120-277 VAC	100-277VAC	100-277-VAC	100 -277V=10% 50/60 Hz
OUTPUT VOLTAGE	24 VDC	24 VDC	24 VDC	24 VDC
VOLTAGE OPEN	25.5 VDC	25.5 VDC	25.5 VDC	25.5 VDC
MAX INPUT CURRENT	0.3 Amps max at 115 VAC	0.25 Amps at 120 VAC	0.6 Amps 100 VAC/ 0.3 Amps 220 VAC	
MAX FEET 3000 SERIES	6.5 ft.	11 ft.	22 ft.	56 ft.
MAX FEET 4000 SERIES	3 ft.	5.5 ft.	11 ft.	27 ft.
MAX FEET 8000 SERIES	1.5 ft.	2 ft.	5.5 ft.	13 ft.



Component of a complete system including: Aion LED A-Track Light Engine, Aion LED A-Track housing with diffuser lens, & Aion LED driver (power supply). Dimmer not included. Approved dimmers, controls, power supplies, cable, & other components only. Contact Aion LED for questions regarding compatibility. Electrician installed. Strictly adhere to NEC & local building code. Limited 5-year warranty against manufacturing defects only; does not cover labor; voided by: inadequate ventilation, field modifications, installation by unqualified personnel, unapproved controls, drivers, cabling, other devices, not following installation guidelines & protocol, general negligence. Installer assumes all liability with regard to property & safety. This product is UL listed. See separate "Aion LED Warranty Terms" & additional instructional materials for more information. Authorized installers only. Systems tested prior to shipping.



AIONLED.COM | (415) 255-AION
Modified: September 11, 2017

© 2017 Aion LED. All Rights Reserved

WIRING DIAGRAM

M SERIES



Installation Instructions

1. Install per NEC and Local code by qualified personnel
2. Requires UL Listed electrical enclosure with adequate ventilation
3. Shut off power at the breaker
4. AC Input (Primary) Requires 100-277 VAC Power and ground
5. Stain-relief wiring to enclosure to prevent wires from pulling out
6. Wire AC power with 18AWG power wire



A SERIES

UL Recognized Model - Requires Enclosure



DIMENSIONS (L-W-H)"	4 x 1.5 x 4	INPUT VOLTAGE	120V
WATTAGE	40 W	CLASS 2 (UL STANDARD)	YES
SECONDARY BREAKER	2A	CASE	DAMP LOCATION, Enclosure Required



D40-A-24

Lutron LTEA4U1UKN-CV240

Hi-Lume 1% 2-Wire LED Driver

D40-A-24-L3D

Lutron L3DA4U1UKN-CV240

Hi-Lume 1% Ecosystem/ 3-Wire LED Driver

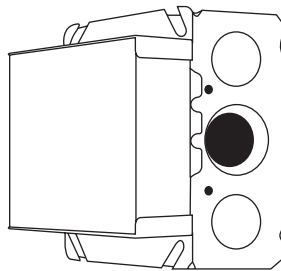
Dimming LED Driver
CLASS 2

24 VDC Constant Voltage

Engineered by OEM Partner Lutron Electronics™
to Aion LED Fixture Specifications

A SERIES

UL Listed Model - Pre-Mounted on J-Box by Lutron



DIMENSIONS (L-W-H)"	4.9 x 3 x 1	INPUT VOLTAGE	UNIVERSAL INPUT, 120V-277V
WATTAGE	40 W	CLASS 2 (UL STANDARD)	YES
SECONDARY BREAKER	2A	CASE	DAMP LOCATION, K Case Enclosure



D40-A-24-R

Lutron LTEA4U1UKL-CV240

Hi-Lume 1% 2-Wire LED Driver

D40-A-24-L3D-R

Lutron L3DA4U1UKL-CV240

Hi-Lume 1% Ecosystem/ 3-Wire LED Driver

Dimming LED Driver
CLASS 2

24 VDC Constant Voltage

Engineered by OEM Partner Lutron Electronics™
to Aion LED Fixture Specifications

APPROVED DIMMERS

A SERIES

Recommended 2-Wire Controls

D40-A-24 & D40-A-24-R

NOVA	NLV-600
NOVA Ta	NTLV-600-CPN0199
MAESTRO WIRELESS	MRF2-6ND-120
RADIORA2 WIRELESS	RRD-6ND, 10ND, 6NA
RADIORA WIRELESS	RA-6ND, 10ND
HOMEWORKS QS	HQRD-RND, 10ND, 6NA
HOMEWORKS QS WPM	HQRJ-WPM-6D-120
HOMEWORKS	HRD-6ND, 10ND, HWD-10ND
HOMEWORKS WPM	HWI-WPM-6D-120
GRAFIK EYE QS	HW-RPM-4U-120,LP-RPM-4U-120
RPM-4U	HW-RPM-4A-120,LP-RPM-4A-120
RPM-4A	VARIOUS (CALL)
GC PANELS	SZ-6ND

Max Lengths

3000 Series	22 ft.
4000 Series	11 ft.
8000 Series	5.5 ft.

Max Wire Distance

18 AWG	15 ft.
16 AWG	25 ft.
14 AWG	40 ft.
12 AWG	60 ft.

Ecosystem Digital Controls

D40-A-24-L3D & D40-A-24-L3D-R

PART NUMBER

PowPak® dimming module with EcoSystem®	RMJ-ECO32-DV-B	32 per EcoSystem® link
	FCJ-ECO	3 per EcoSystem® link ²
Energi Savr Node™ with EcoSystem®	QSN-1ECO-S, QSN-2ECO-S	64 per EcoSystem® link
GRAFIK Eye® QS with EcoSystem®	QSGRJ-_E, QSGR-_E	64 per EcoSystem® link ³
Quantum®	VARIOUS	64 per EcoSystem® link

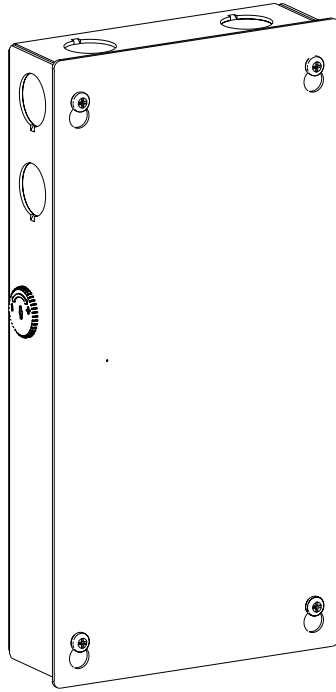
¹ For use with 3-wire controls or Commercial Systems, RadioRAR 2 Systems or Home Systems applications.

² Up to 3 drivers controlled as a single zone (broadcast EcoSystem®).

³ Not available for 277V

A SERIES

Hi-Lume Premier 0.1%



Dimming LED Driver

Soft-On, Fade-to-Black operation: fades smoothly between 0% and 0.1%* when turned on and off for an incandescent like experience

CLASS 2 24V

Engineered by OEM Partner Lutron Electronics™ to Aion LED Fixture Specifications

*Soft-On, Fade-to-Black feature only available when used with ecosystem digital control inputs

Not available with 3-Wire phase control dimmers

MODEL	D100-A Lutron L3D0-96W24-U		
DIMENSIONS (L-W-H)"	5.5 x 2 x 10.5	CASE	DAMP & DRY LOCATION
OUTPUT	24V 96W	RATING	UL Listed
DIMMING RANGE	100% - 0.1%*	OPERATING VOLTAGE	120V - 277V at 50/60Hz
CLASS 2 (UL STANDARD)	YES	INRUSH CURRENT	< 2 A



Component of a complete system including: Aion LED A-Track Light Engine, Aion LED A-Track housing with diffuser lens, & Aion LED driver (power supply). Dimmer not included. Approved dimmers, controls, power supplies, cable, & other components only. Contact Aion LED for questions regarding compatibility. Electrician installed. Strictly adhere to NEC & local building code. Limited 5-year warranty against manufacturing defects only, does not cover labor; voided by: inadequate ventilation, field modifications, installation by unqualified personnel, unapproved controls, drivers, cabling, other devices, not following installation guidelines & protocol, general negligence. Installer assumes all liability with regard to property & safety. This product is UL listed. See separate "Aion LED Warranty Terms" & additional instructional materials for more information. Authorized installers only. Systems tested prior to shipping.



AIONLED.COM | (415) 255-AION
Modified: September 11, 2017

© 2017 Aion LED. All Rights Reserved

A SERIES

Hi-Lume Premier 0.1%

Recommended 3-Wire Controls

0.1% DIMMING	120 V	277 V
NOVA T	NTF10-, NTF103P-	NTF10-277, NTF103P-277
NOVA	NF10-, NF103P-	NF10-277, NF103P-277
SKYLARK	SF-10P-, SF-103P-	SF-10P-277, SF-103P-277
DIVA	DVF-103P, DVSCF-103P	DVF-103P-277, DVSCF-103P-277
ARIADNI	AYF-103P-	AYF-103P-277
VAREO	VF-10-	—
VIERTI	VTF-6A-	
MAESTRO	MAF-6AM-, MSCF-6AM-	MAF-6AM-277, MSCF-6AM-277
MAESTRO WIRELESS	MRF2-F6AN-DV-	
RADIO RA 2	RRD-F6AN-DV-	
HOMEWORKS	HQRD-F6AN-DV-	
INTERFACES	PHPM-3F-120, PHPM-3F-DV, BCI-0-10	PHPM-3F-DV, BCI-0-10
GP DIMMING PANELS	VARIOUS	

Max Lengths

3000 Series	60 ft. (30x2)
4000 Series	30 ft.
8000 Series	15 ft.

Max Wire Distance

20 AWG	15 ft.
18 AWG	25 ft.
16 AWG	40 ft.
14 AWG	60 ft.
12 AWG	100 ft.
10 AWG	150 ft.

Ecosystem Digital Controls

	120 V	277 V	Recommended System Version
PowPak® Dimming Module with EcoSystem™	RMJ-ECO32-DV-B, URMJ-ECO32-DVB		5.9 or later
PowPak® Wireless Fixture Control with EcoSystem™ ¹	FCJ-ECO ²		Later than 1.25
Energi Savr Node™ unit with EcoSystem™	QSN-1ECO-S, QSN-2ECO-S, QSN-2ECO-PS120, UQSN-1ECO-S, UQSN-2ECO-S		9.027 or later
GRAFIKEye® QS unit with EcoSystem™	QSGRJ-_E, QSGR-_E	—	9.009 or later
Quantum® Light Management Hub	QP2-_P_C	—	3.2 or later ³
HomeWorks® QS with EcoSystem™	LQSE-2ECO-D, QSGRJ-_E, QSGR-_E	—	10 or later

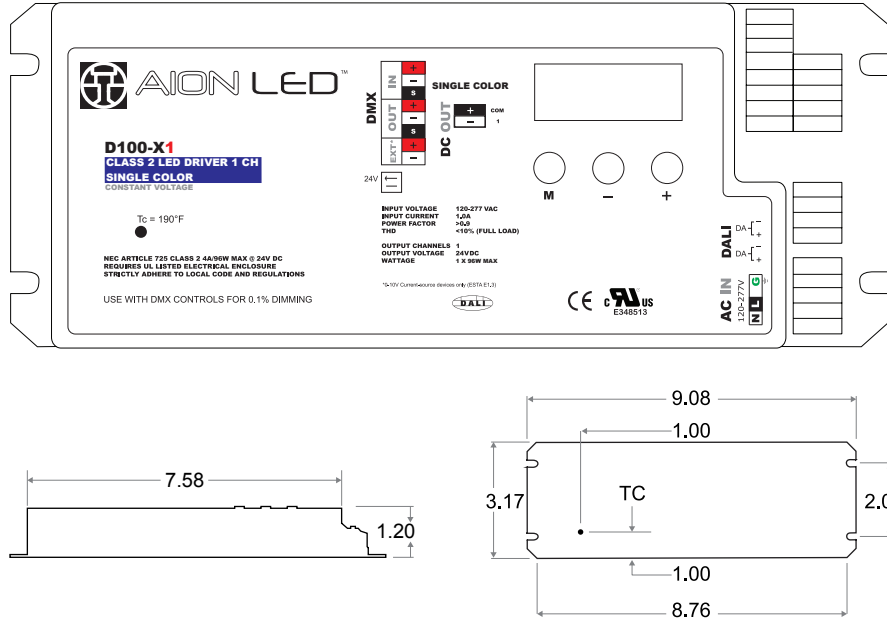
¹ For use with 3-wire controls or Commercial Systems, RadioRAR 2 Systems or Home Systems applications.

² Up to 3 drivers controlled as a single zone (broadcast EcoSystem®).

³ Not available for 277V

X1

DMX, 1 CHANNEL



- 1 Channel DMX Driver
- Integrated Class 2 Supply
- LCD interface
- Universal 100-277VAC Input
- UL, CE, & CSA APPROVED
- Requires UL Listed Enclosure
- Factory Programmed for RGBW+
- Factory Wire Harness for Ease of Installation
- Default Address 1

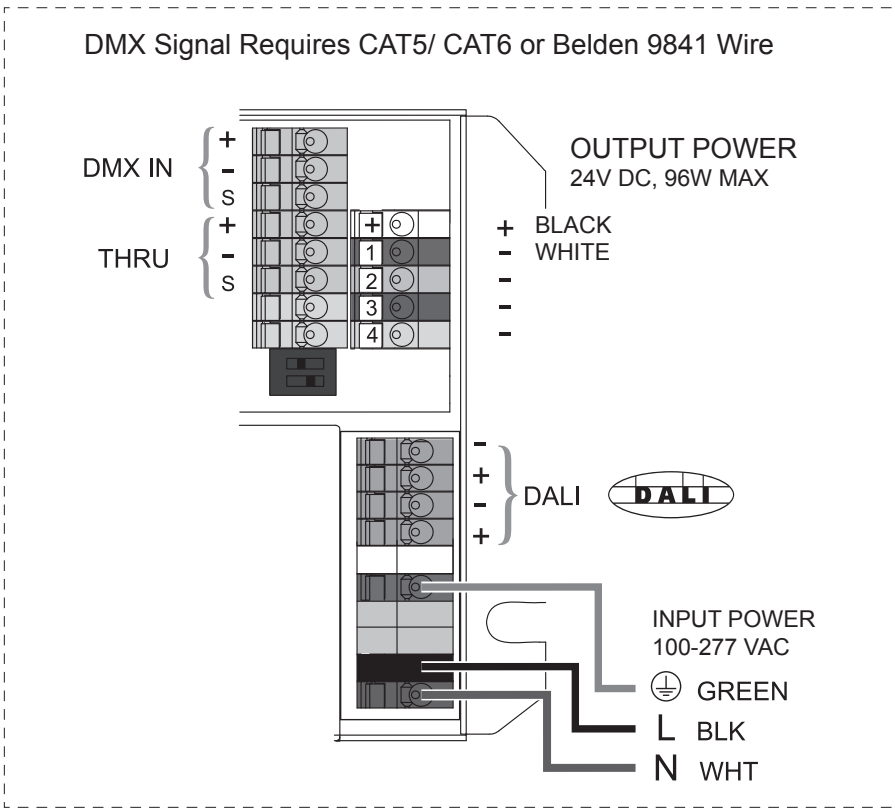
MODEL	D100-X1	DIMENSIONS (L-W-H)"	9.06 x 3.15 x 1.18"
CASE	DRY & DAMP	PRIMARY BREAKER	AUTO-RESET
WATTAGE	96W @ 24 VDC	DIMMING	0.1%
INPUT VOLTAGE (Hz)	100-277 VAC, 60HZ	CONTROL TYPE	Aion LED AX5-1 Controller, DTM or 3rd Party Interface
INRUSH CURRENT	120 VAC: 35A 240µs 277 VAC: 75A 240µs	3RD PARTY DMX COMPATIBILITY	Lutron, Vantage, Crestron, ETC AMX (ANY DMX)
INPUT CURRENT	120 VAC: 1.05A 277 VAC: 0.45A	THERMAL CLASS	(B) 130 C
POWER FACTOR	>0.94	MAX FEET 3000 SERIES	60 ft.
VOLTAGE LOADED	23.5 VDC	MAX FEET 4000 SERIES	30 ft.
VOLTAGE OPEN	24.2 VDC	MAX FEET 8000 SERIES	15 ft.



Components of a complete system include: Aion LED A-Track Light Engine, Aion LED A-Track housing with diffuser lens, & Aion LED driver (power supply). Dimmer not included. Approved dimmers, controls, power supplies, cable, & other components only. Contact Aion LED for questions regarding compatibility. Electrician installed. Strictly adhere to NEC & local building code. Limited 5-year warranty against manufacturing defects only, does not cover labor; voided by: inadequate ventilation, field modifications, installation by unqualified personnel, unapproved controls, drivers, cabling, other devices, not following installation guidelines & protocol, general negligence. Installer assumes all liability with regard to property & safety. This product is UL listed. See separate "Aion LED Warranty Terms" & additional instructional materials for more information. Authorized installers only. Systems tested prior to shipping.



AIONLED.COM | (415) 255-AION
Modified: November 29, 2017



INSTALL PER NEC

Requires:

DMX Controller & Control Wire Daisy Chain

Fixture Load:

Requires 2 Conductor Cable

Black = Common POS +

White = NEG -

AC Input:

LINE (BLK)

NEUTRAL (WHT)

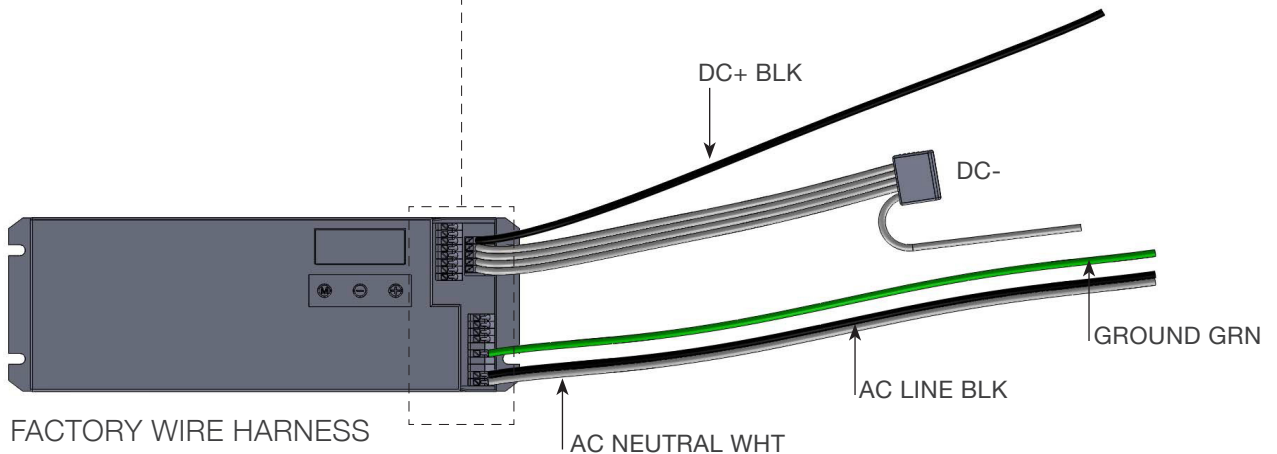
GROUND (GRN)

Max Runs:

3000 Series: 60 ft.

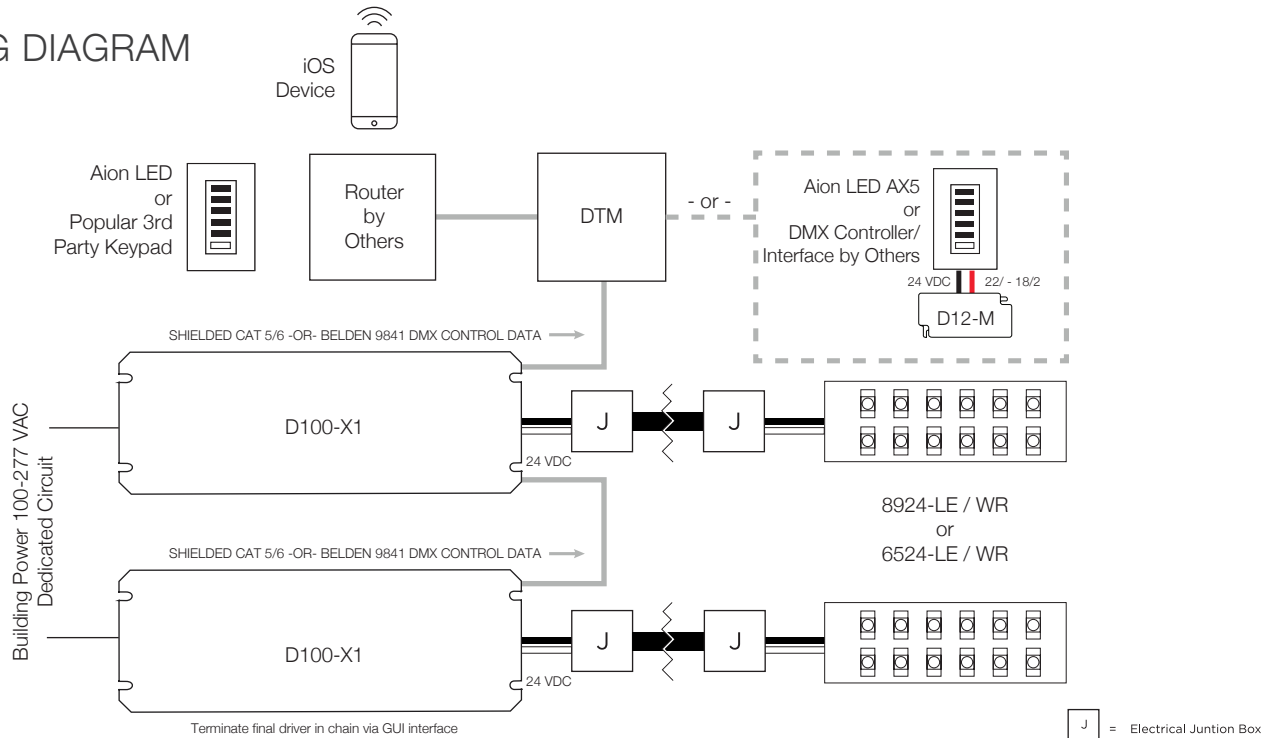
4000 Series: 30 ft.

8000 Series: 15 ft.



Components of a complete system include: Aion LED A-Track Light Engine, Aion LED A-Track housing with diffuser lens, & Aion LED driver (power supply). Dimmer not included. Approved dimmers, controls, power supplies, cable, & other components only. Contact Aion LED for questions regarding compatibility. Electrician installed. Strictly adhere to NEC & local building code. Limited 5-year warranty against manufacturing defects only, does not cover labor; voided by: inadequate ventilation, field modifications, installation by unqualified personnel, unapproved controls, drivers, cabling, other devices, not following installation guidelines & protocol, general negligence. Installer assumes all liability with regard to property & safety. This product is UL listed. See separate "Aion LED Warranty Terms" & additional instructional materials for more information. Authorized installers only. Systems tested prior to shipping.

X1 WIRING DIAGRAM



X1 INSTALLATION INSTRUCTIONS

1. Install per NEC and Local code by qualified personnel
2. Requires UL Listed enclosure with adequate ventilation
3. Strain-relief wiring to enclosure to prevent wires from pulling out
4. Wire AC power with 18AWG power wire
5. Ensure that jacket goes all the way into connector
6. Connect DMX controller to 'DMX in' on first unit with Belden 9841 DMX wire (plus, minus, shield), -or- shielded CAT5
7. Daisy chain additional units from 'DMX out' to 'DMX' of following unit with Belden 9841 cable -or- shielded CAT5
8. Terminate only the final unit in DMX chain via programming interface
9. Wire fixture to wire harness with wire nuts [White, DC+ (Black)]
10. Drivers are pre-programmed and tested at Aion LED for specific Aion LED fixtures. Each of the four D100-X series models (X1, X2, X3, X4) ship with a separate and unique Aion LED factory wiring harness for plug and play functionality and to eliminate mistakes in the field. Aside from changing the default DMX address (1) via supplied GUI interface, or activating "Termination" on the final unit in a control chain, only certified integrators and qualified personnel should attempt changing other settings. Default programming settings are for reference only.



X1 PROGRAMMING GUIDE

USER MENU

Highlighted Yellow = User Defined

M	DMX Address = 1 Default
M	Network Resolution = 8 bit
M	Term = No terminate final driver in chain
M	Network Set = Manual
M	Interpolation = White

TO LOCK/ UNLOCK MODE MENU

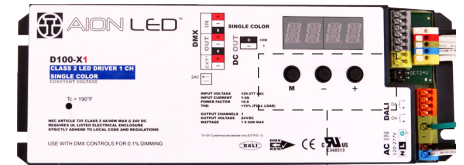
M + +	Hold for 3 seconds, then select (+) or (-) to lock or unlock
---------------------	--

TO ACCESS OUTPUT MENU

M + +	Hold for 0.5 seconds LED = 1 - 4 L
M	External Input = OFF
M	Dim Curve = Log

TO ACCESS MODE MENU

M	Hold for 3 seconds SET MODE = DMX
----------	--------------------------------------



Ensure all wiring is correct and properly terminated

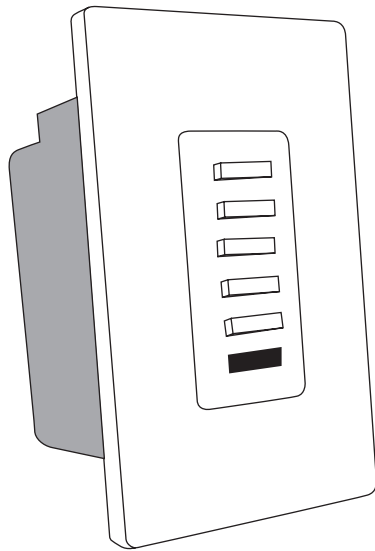
Default DMX address is 1 and can be changed via GUI interface.

Drivers are pre-programmed and tested at Aion LED for specific Aion LED fixtures. Each of the four D100-X series models (X1, X2, X3, X4) ship with a separate and unique Aion LED factory wiring harness for plug and play functionality and to eliminate mistakes in the field.

Aside from changing the default DMX address (1) via supplied GUI interface, or activating "Termination" on the final unit in a control chain, only certified integrators and qualified personnel should attempt changing other settings. Default programming settings are for reference only.

AX5-1

Compact DMX Controller



AX5 ships pre-programmed to factory default settings per application

Standard Decora™ Mounting

Optional programming software, USB interface & remote control available

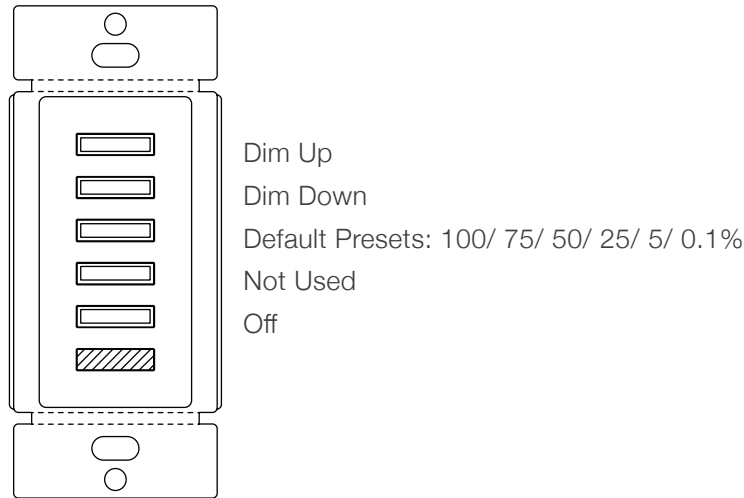
Requires Approved DMX Signal Cable, Including Belden 9841 -Sold Separately

Requires D12-M-24 Power Supply

MODEL	AX5-1
DIMENSIONS (L-W-H)"	1.8 x 1.8 x 4.1"
WEIGHT	2.9 oz
POWER	2- POSITION SPRING CLIP TERMINAL
DMX PORT	3- POSITION REMOVABLE TERMINAL BLOCK
INPUT	24 VDC

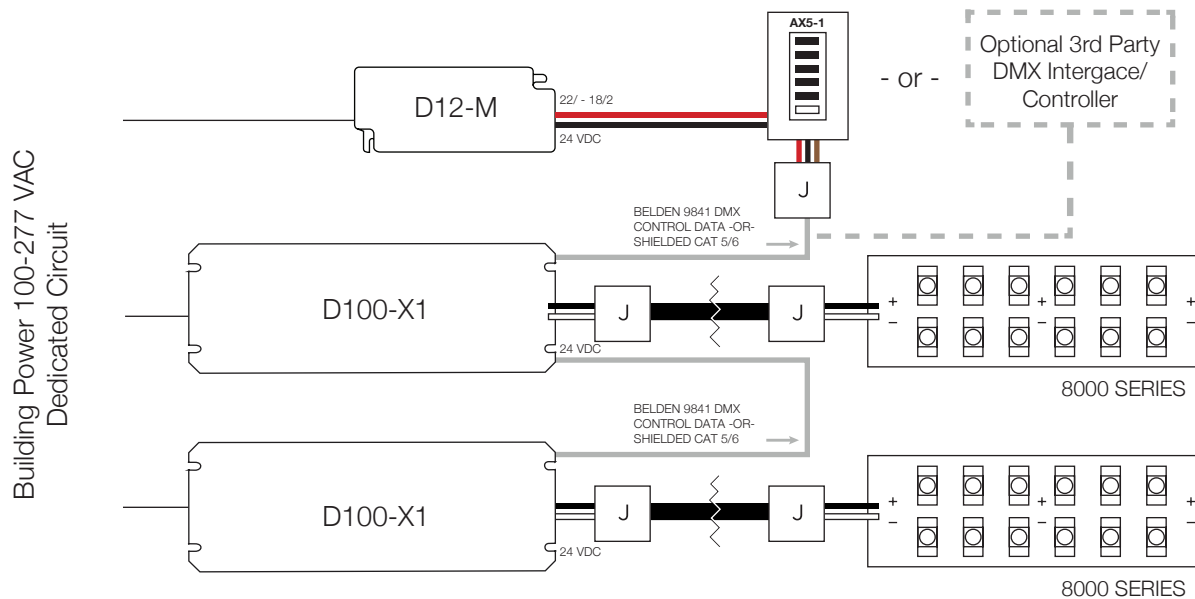
DEFAULT PROGRAMMING

AX5-1



WIRING DIAGRAM

AX5-1



Components of a complete system include: Aion LED A-Track Light Engine, Aion LED A-Track housing with diffuser lens, & Aion LED driver (power supply). Dimmer not included. Approved dimmers, controls, power supplies, cable, & other components only. Contact Aion LED for questions regarding compatibility. Electrician installed. Strictly adhere to NEC & local building code. Limited 5-year warranty against manufacturing defects only, does not cover labor; voided by: inadequate ventilation, field modifications, installation by unqualified personnel, unapproved controls, drivers, cabling, other devices, not following installation guidelines & protocol, general negligence. Installer assumes all liability with regard to property & safety. This product is UL listed. See separate "Aion LED Warranty Terms" & additional instructional materials for more information. Authorized installers only. Systems tested prior to shipping.

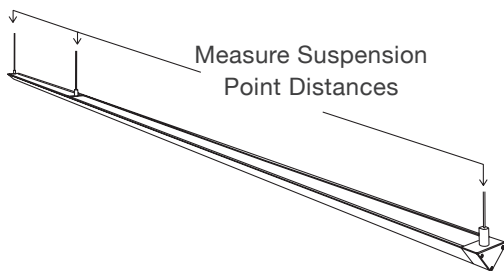
PRELIMINARY SPECIFICATION, SUBJECT TO CHANGE WITHOUT NOTICE

ST SERIES

Linear Pendant System

Please include reflected ceiling plan.

Note suspension point distances, power feed locations* and total overall lengths of fixtures.



Power Feed Requirements

9524-FR	1 per 8' max
8924-LE	1 per 16' max
4924-LE	1 per 32' max

Components of a complete system include: Aion LED A-Track Light Engine, Aion LED A-Track housing with diffuser lens, & Aion LED driver (power supply). Dimmer not included. Approved dimmers, controls, power supplies, cable, & other components only. Contact Aion LED for questions regarding compatibility. Electrician installed. Strictly adhere to NEC & local building code. Limited 5-year warranty against manufacturing defects only, does not cover labor; voided by: inadequate ventilation, field modifications, installation by unqualified personnel, unapproved controls, drivers, cabling, other devices, not following installation guidelines & protocol, general negligence. Installer assumes all liability with regard to property & safety. This product is UL listed. See separate "Aion LED Warranty Terms" & additional instructional materials for more information. Authorized installers only. Systems tested prior to shipping.

